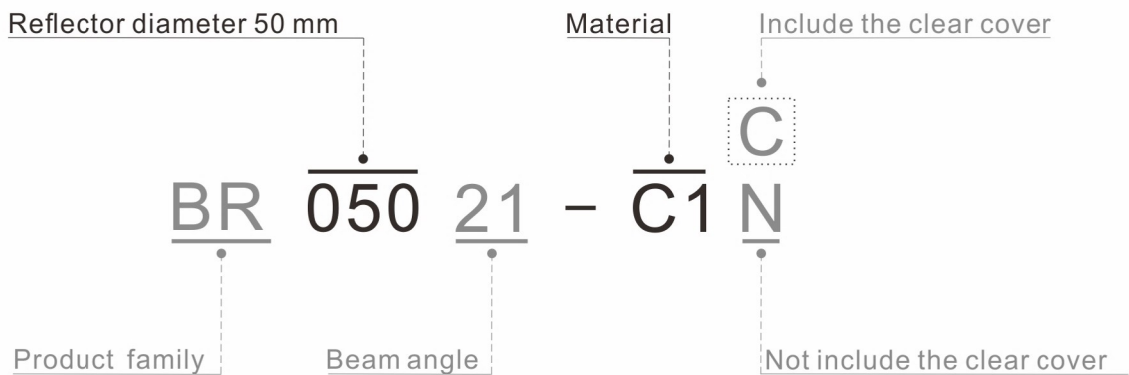


**PRODUCT SPECIFICATION**
**BR050**

Version:20191009v1



|                     |       |    |
|---------------------|-------|----|
| Basic parameters    | ----- | P2 |
| Photometric data    | ----- | P3 |
| Product dimension   | ----- | P4 |
| Packing information | ----- | P5 |

**PRODUCT EXPLAIN**


## BASIC PARAMETERS

|                            |                       |
|----------------------------|-----------------------|
| Model                      | BR050                 |
| Beam angle                 | 21°/41°/61°           |
| Cover                      | Clear / Foggy         |
| Operating temperature (Tj) | ≤85°C                 |
| Plating/Color              | Vacuum plating/Silver |
| RoHS                       | Yes                   |
| Material                   | PC                    |
| Lens                       | No                    |

## SOURCE

Bridgelux: E6 / E8 / E10 / V8 Gen8 / V10 Gen8 / V8 Gen7 / V10 Gen7 / V6 HD / Vero 10 Gen6  
Vero 10 Gen7

Cree: CXA15xx / CXB15xx / CMA1516 / CMT14xx

Citizen: CLU02x-120x / CLU7A2 / CLU7B2 / CLU701 / CLU702

Luminus: CHM-9(AC00) Gen1 / CLM-9(AC00) Gen1 / CXM-9(AC00) Gen1 / CHM-6-XH20 Gen2  
CHM-9(AC10) Gen2 / CXM-9(AC00) Gen2 / CIM-9(AC30) Gen3 / CLM-9(AC30) Gen3  
CXM-9(AC30) Gen3 / CIM-9 Gen4 / CLM-9(AC40) Gen4 / CXM-9 Gen4

Nichia: NTCWT012B / NTCWS024B / NVNWS007Z / NJCWS024Z

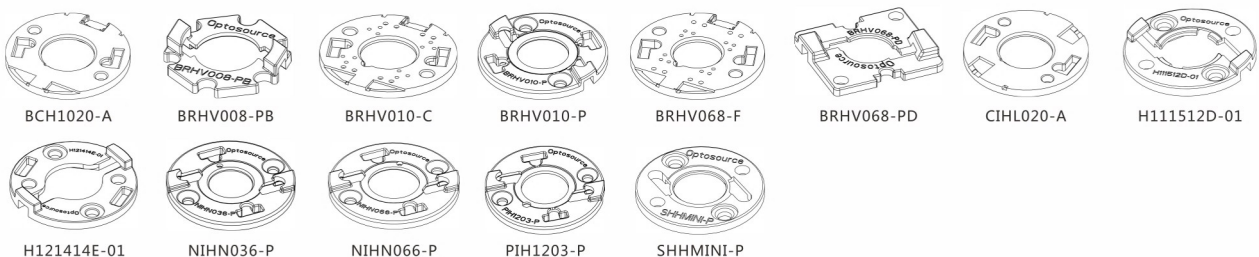
Osram: S9

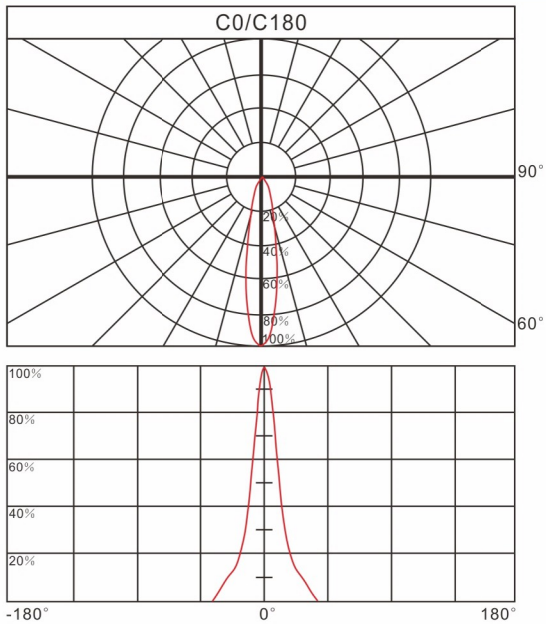
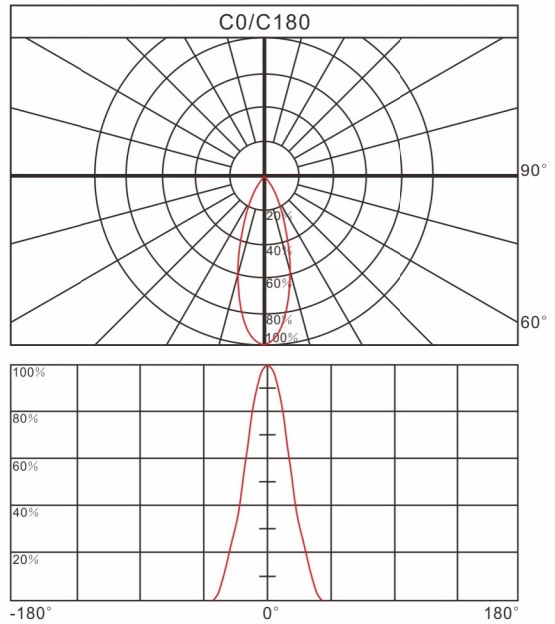
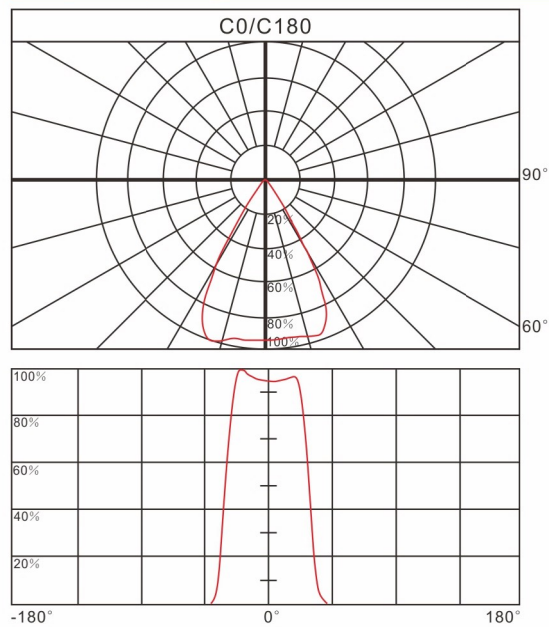
Samsung: LC010C / LC003D / LC006D / LC009D / LC013D

Seoul: SAWS0661A / SAWS1063A / SAW00661A / SAW01062A / SAW01063A / SAW80661A  
SAW90661A / SAW81062A / SAW91062A / SAW81063A / SAW91063A

Tridonic: SLE G7 9mm

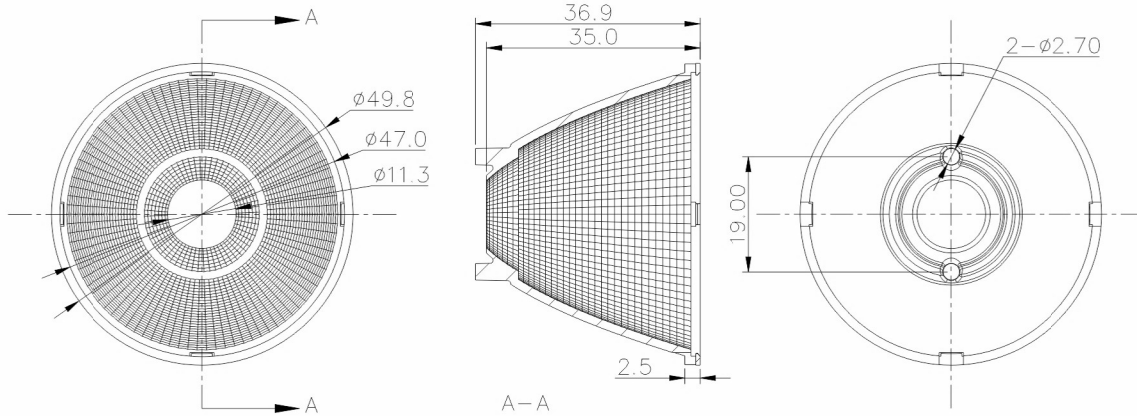
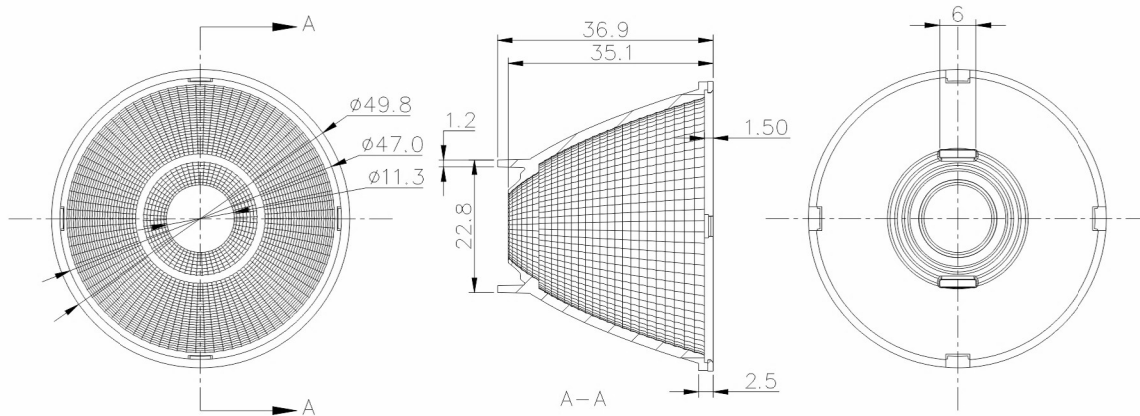
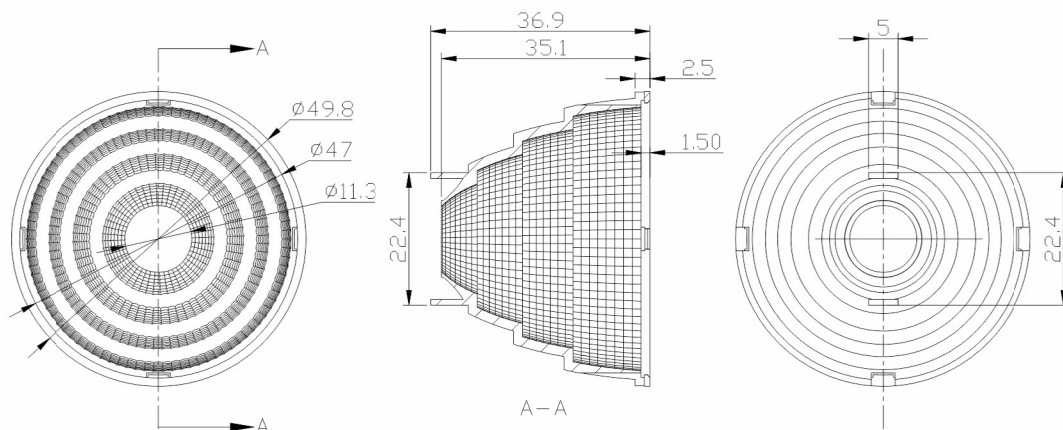
## HOLDERS



**PHOTOMETRIC DATA**
**Relative intensity of BR05021**

**Relative intensity of BR05041**

**Relative intensity of BR05061**


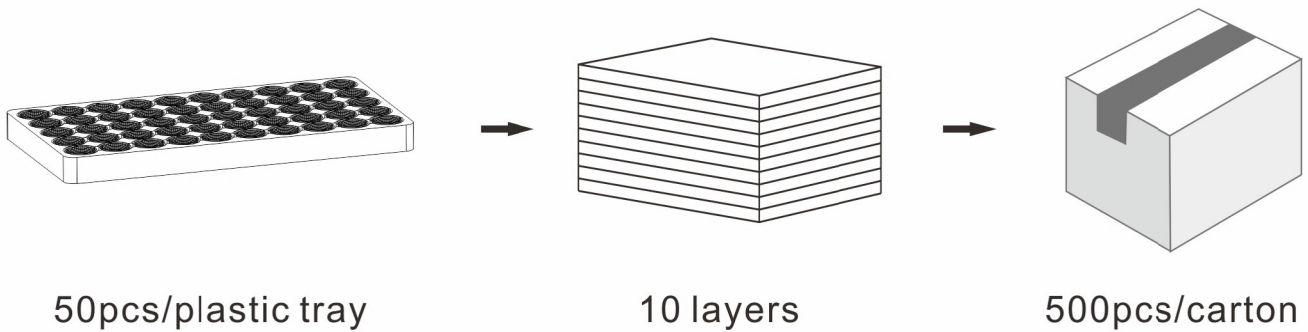
**PRODUCT DIMENSION**

Unit:mm

**BR05021**

**BR05041**

**BR05061**


**PACKING INFORMATION**

|                    |                           |
|--------------------|---------------------------|
| Packing quantity   | 500pcs/10 layers / carton |
| Gross weight       | 5.5kgs                    |
| Carton measurement | 560*345*440mm             |



Note:

- \* Above measurement and weight are measured manually.  
If there have any difference, please refer to the actual product.

2/F, Building C1, No.73 Weiwu Road, Zengcheng, Guangzhou, China



Tel: +86 20 8266 0966  
Fax: +86 20 8264 3119

E-mail: [sales@opto-source.com](mailto:sales@opto-source.com)  
Website: [www.opto-source.com](http://www.opto-source.com)