

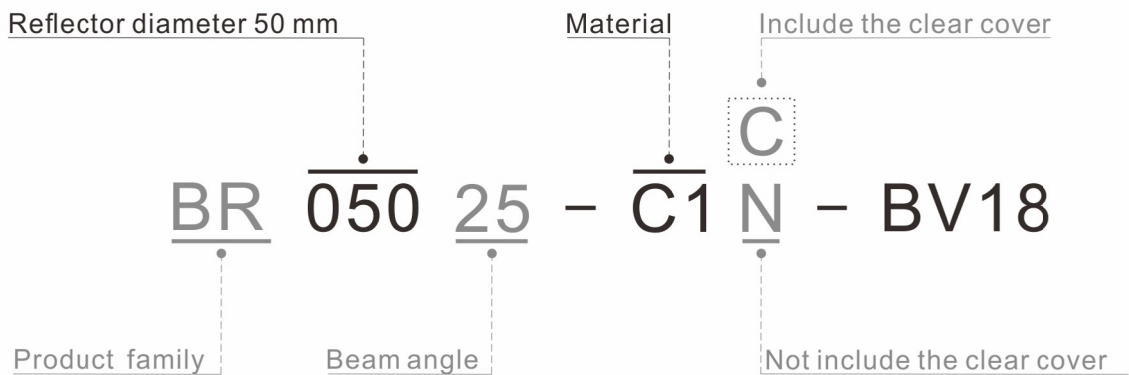
**PRODUCT SPECIFICATION**  
**BR050-BV18**

Version:20191009v1



Basic parameters	-----	P2
Photometric data	-----	P3
Product dimension	-----	P4
Packing information	-----	P5

**PRODUCT EXPLAIN**



## BASIC PARAMETERS

Model	BR050-BV18
Beam angle	25°/40°/60°
Cover	Clear / Foggy
Operating temperature (Tj)	≤85°C
Plating/Color	Vacuum plating/Silver
RoHS	Yes
Material	PC
Lens	No

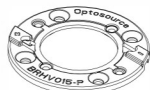
## SOURCE

Bridgelux: E10 / V15 Gen8 / Vero 18 Gen6 / Vero 18 Gen7

## HOLDERS



BCH1330-A



BRHV015-P



BRHV1518-A



CRH1816-P



TRH0017-P



H182420A-01



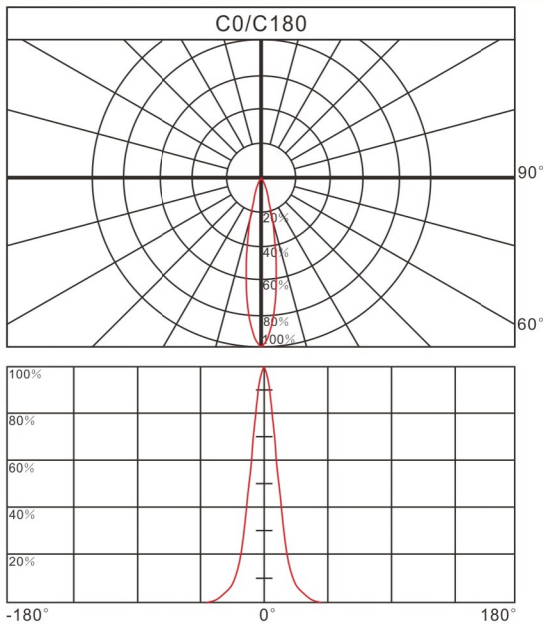
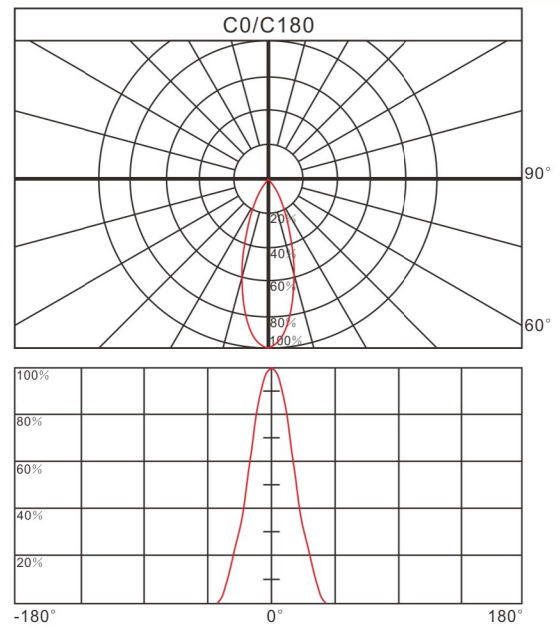
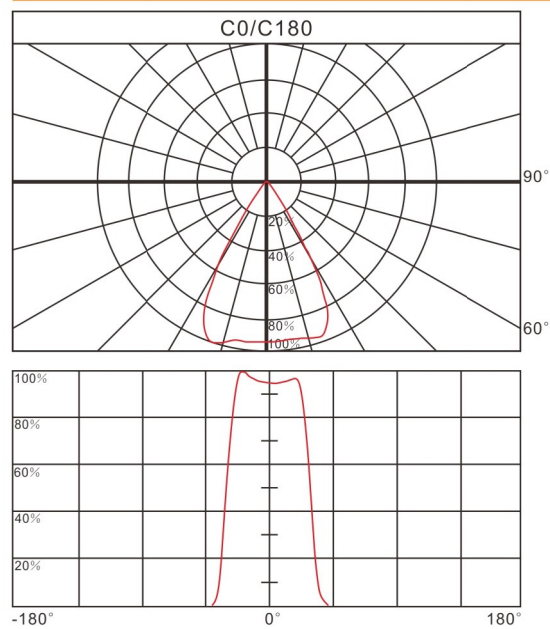
PIH1204-P



PIH1208-P

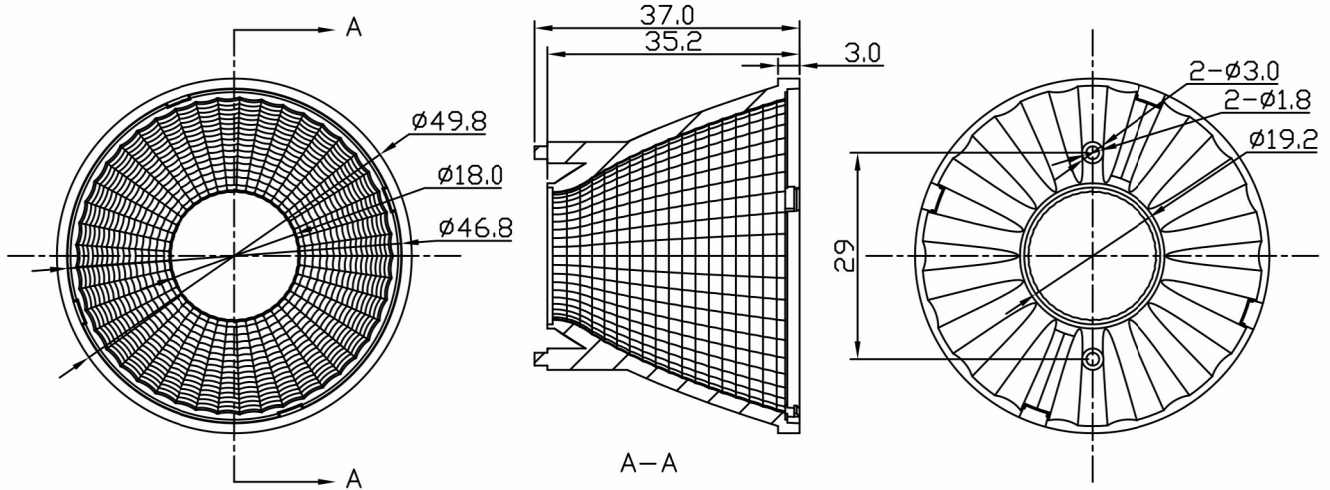
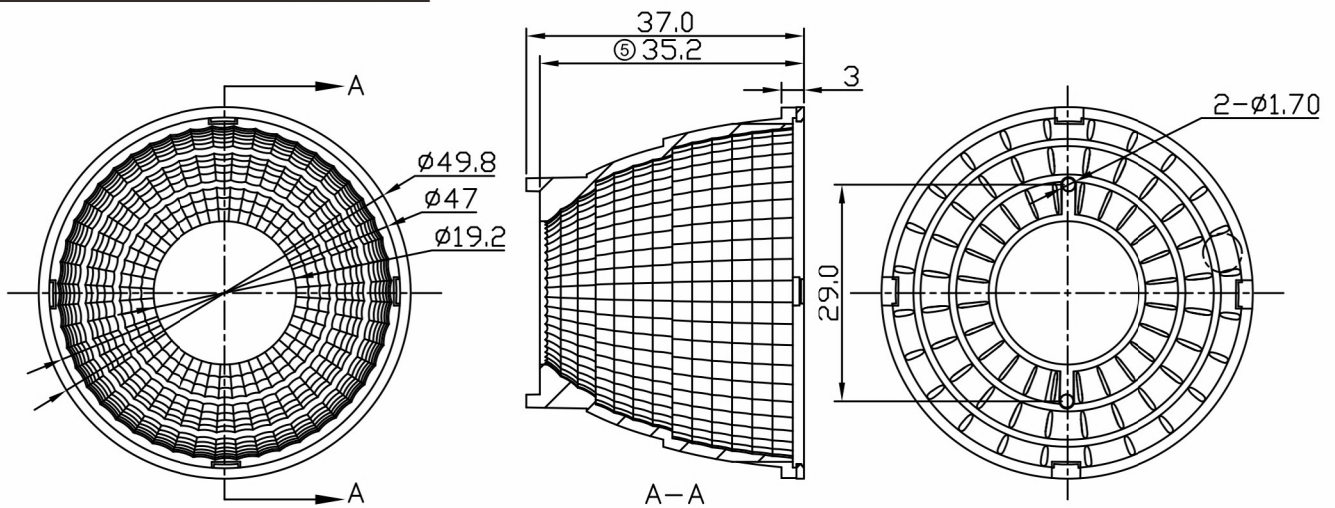


SAHC026-P

**PHOTOMETRIC DATA**
**Relative intensity of BR05025**

**Relative intensity of BR05040**

**Relative intensity of BR05060**


**PRODUCT DIMENSION**

Unit:mm

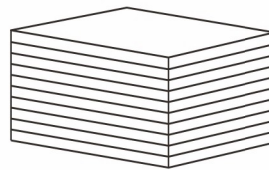
**BR05025/BR05040**

**BR05060**


**PACKING INFORMATION**

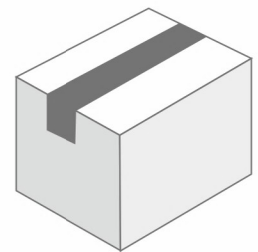
Packing quantity	500pcs/10 layers / carton
Gross weight	5.6kgs
Carton measurement	560*345*440mm



50pcs/plastic tray



10 layers



500pcs/carton

Note:

- \* Above measurement and weight are measured manually.  
If there have any difference, please refer to the actual product.

2/F, Building C1, No.73 Weiwu Road, Zengcheng, Guangzhou, China


 Tel: +86 20 8266 0966  
 Fax: +86 20 8264 3119

 E-mail: [sales@opto-source.com](mailto:sales@opto-source.com)  
 Website: [www.opto-source.com](http://www.opto-source.com)