

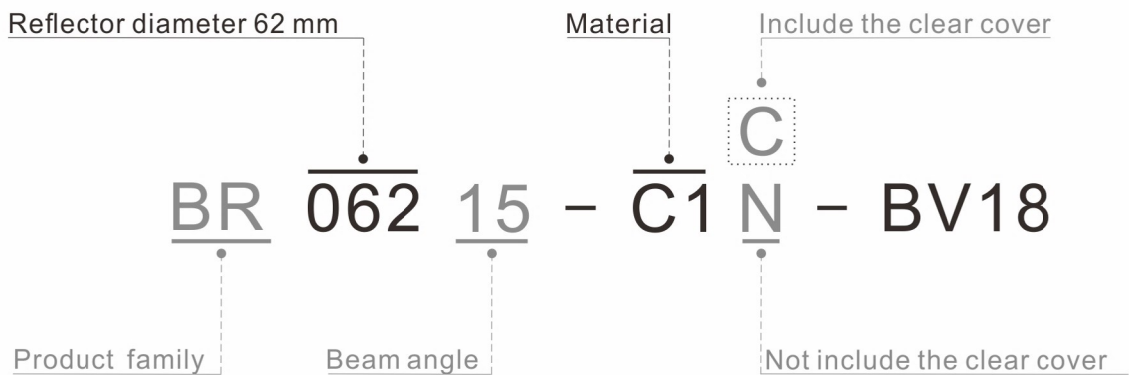
**PRODUCT SPECIFICATION**  
**BR062-BV18**

Version:20191009v1



Basic parameters	-----	P2
Photometric data	-----	P3
Product dimension	-----	P4
Packing information	-----	P5

**PRODUCT EXPLAIN**



## BASIC PARAMETERS

Model	BR062-BV18
Beam angle	15°/30°/60°
Cover	Clear / Foggy
Operating temperature (Tj)	≤85°C
Plating/Color	Vacuum plating/silver
RoHS	Yes
Material	PC
Lens	No

## SOURCE

Bridgelux: E10 / V15 Gen8 / V18 Gen7 / V18 Gen6 / V15 Gen6 / Vero 18 Gen6 / Vero 18 Gen7

## HOLDERS



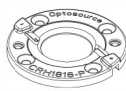
BCH1330-A



BRHV015-P



BRHV1518-A



CRH1816-P



TRH0017-P



H182420A-01



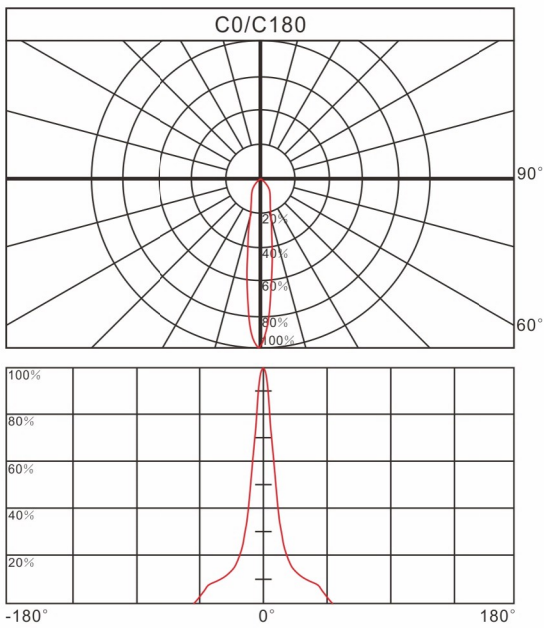
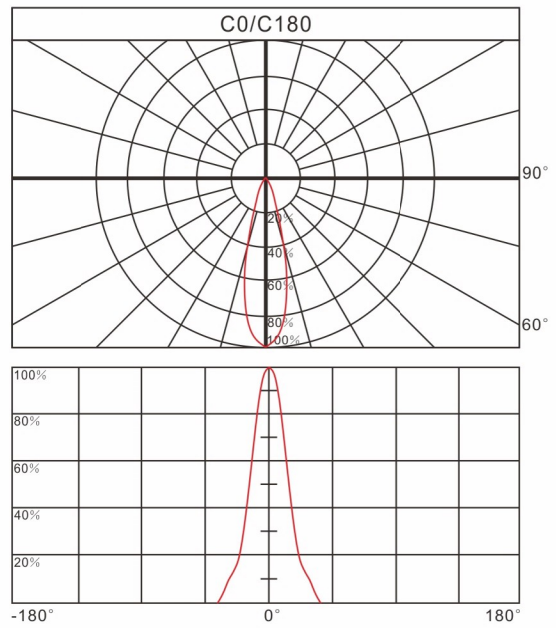
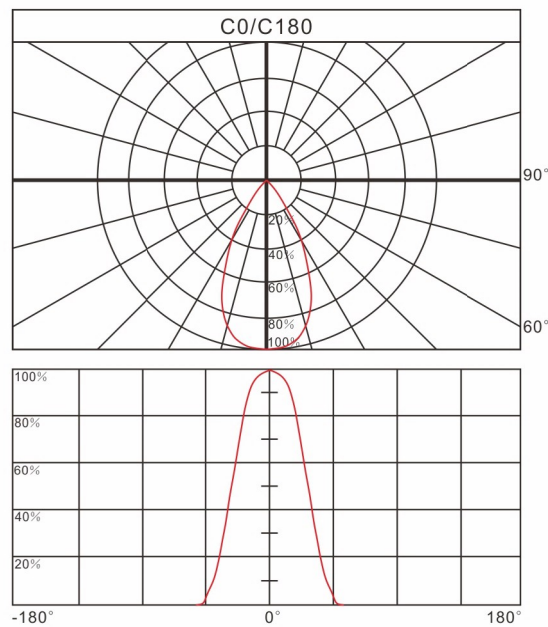
PIH1204-P



PIH1208-P

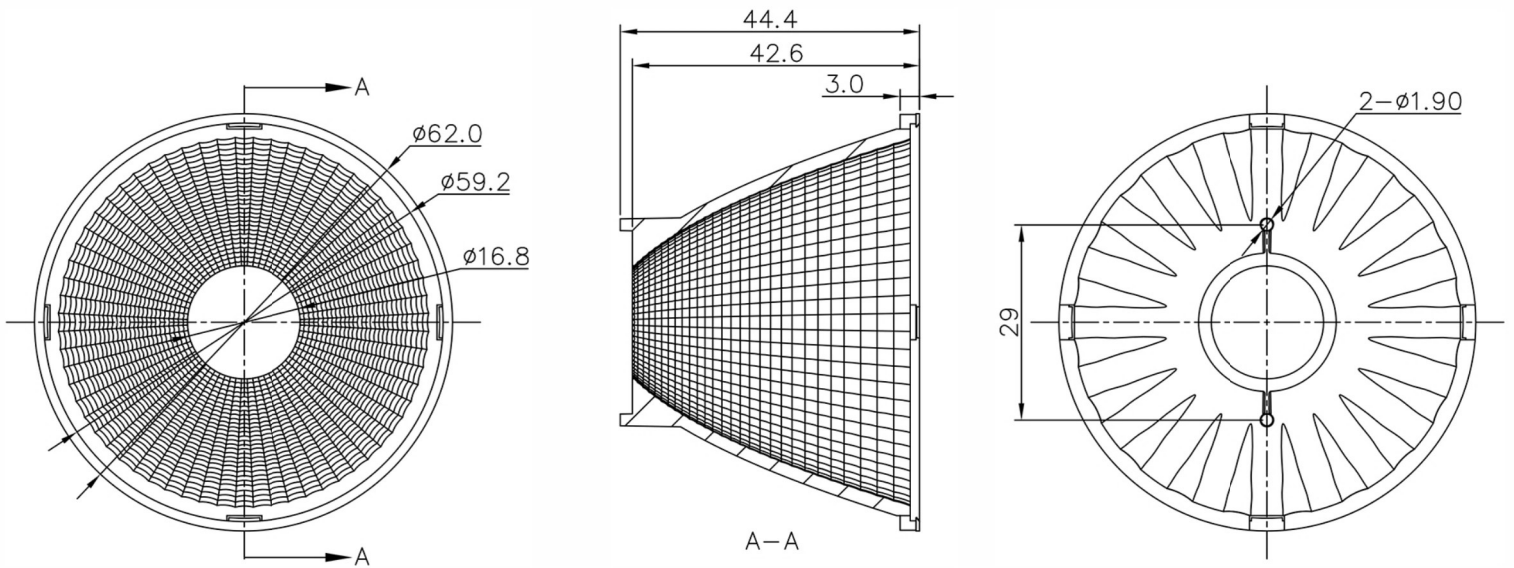
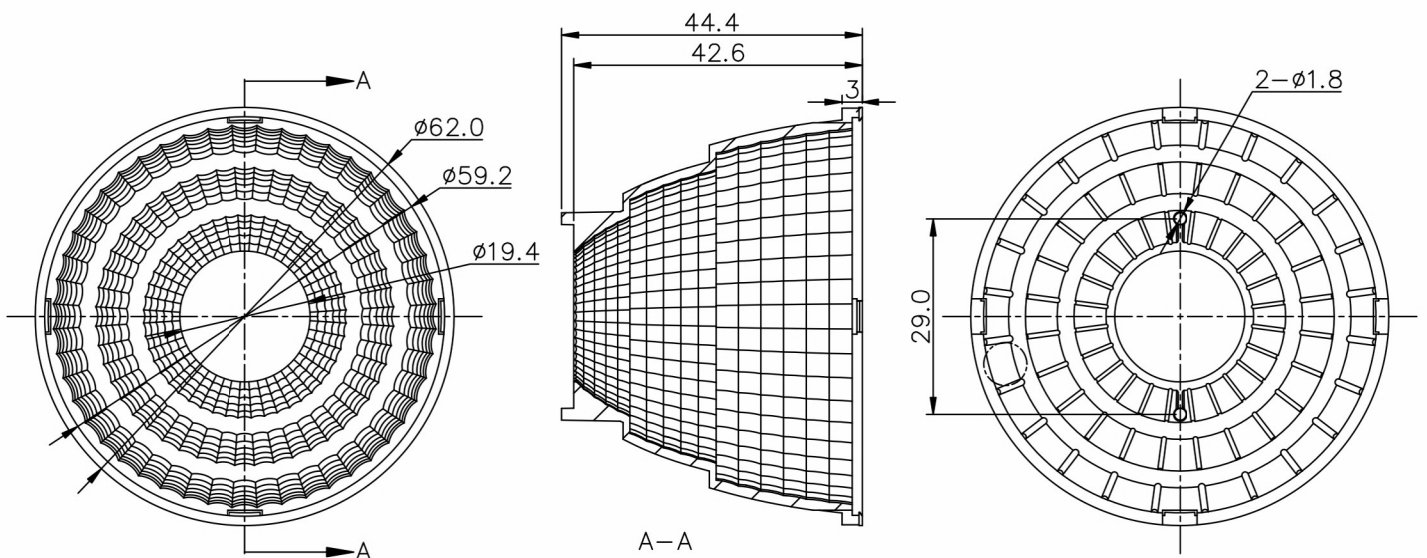


SAHC026-P

**PHOTOMETRIC DATA**
**Relative intensity of BR06215**

**Relative intensity of BR06230**

**Relative intensity of BR06260**


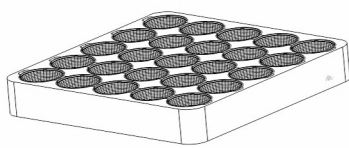
**PRODUCT DIMENSION**

Unit:mm

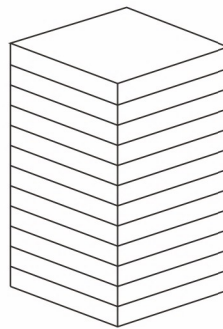
**BR06215/BR06230**

**BR06260**


**PACKING INFORMATION**

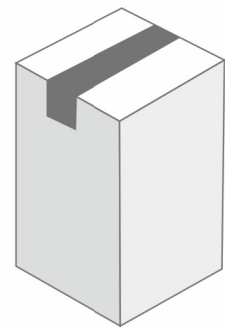
Packing quantity(15°/30°)	300pcs/12 layers / carton
Packing quantity(60°)	270pcs/11 layers / carton
Gross weight	6.2kg
Carton measurement	375*370*590mm



25pcs/plastic tray



12 layers



300pcs/carton

Note:

- \* Above measurement and weight are measured manually.  
If there have any difference, please refer to the actual product.

2/F, Building C1, No.73 Weiwu Road, Zengcheng, Guangzhou, China


 Tel: +86 20 8266 0966  
 Fax: +86 20 8264 3119

 E-mail: [sales@opto-source.com](mailto:sales@opto-source.com)  
 Website: [www.opto-source.com](http://www.opto-source.com)