

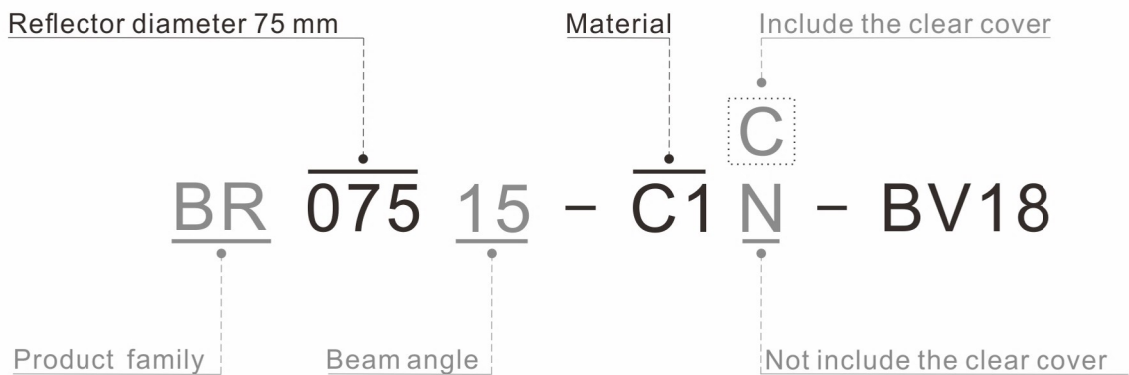
PRODUCT SPECIFICATION
BR075-BV18

Version:20191009v1



Basic parameters	-----	P2
Photometric data	-----	P3
Product dimension	-----	P4
Packing information	-----	P5

PRODUCT EXPLAIN



BASIC PARAMETERS

Model	BR075-BV18
Beam angle	15°/30°/38°
Cover	Clear / Foggy
Operating temperature (Tj)	≤85°C
Plating/Color	Vacuum plating/Silver
RoHS	Yes
Material	PC
Lens	No

SOURCE

Bridgelux: E10 / V15 Gen8 / V13 Gen6 / V9 HD / Vero 18 Gen6 / Vero 18 Gen7

HOLDERS



BCH1330-A



BRHV015-P



BRHV1518-A



CRH1816-P



H182420A-01



PIH1204-P



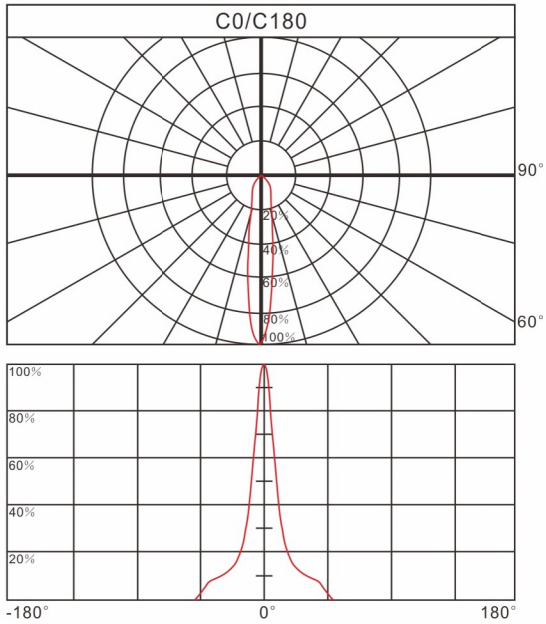
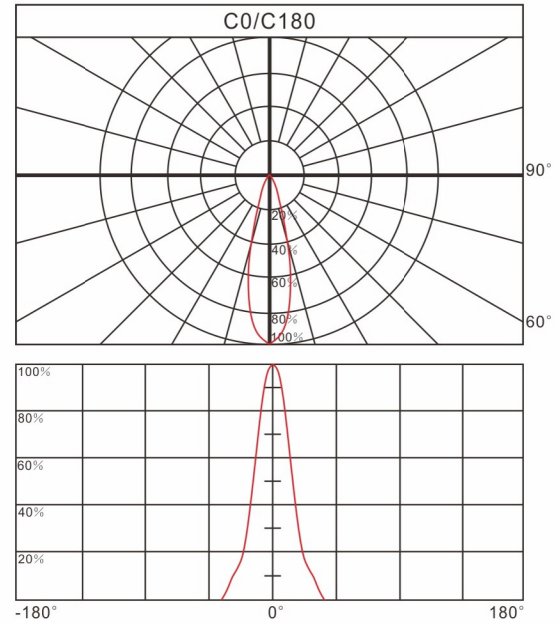
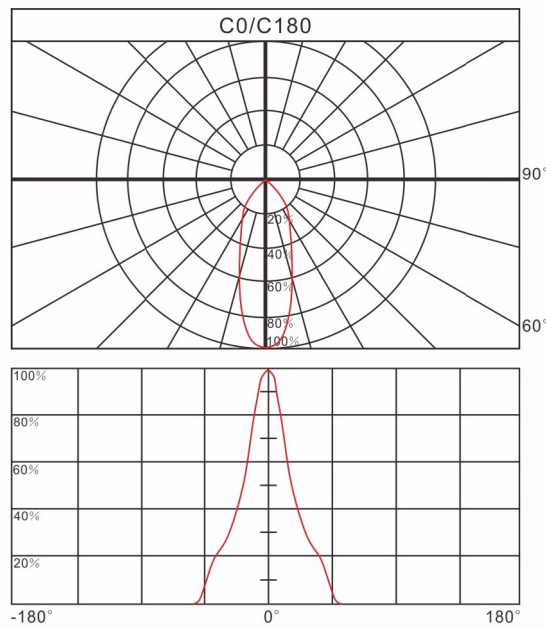
PIH1208-P



SAHC026-P

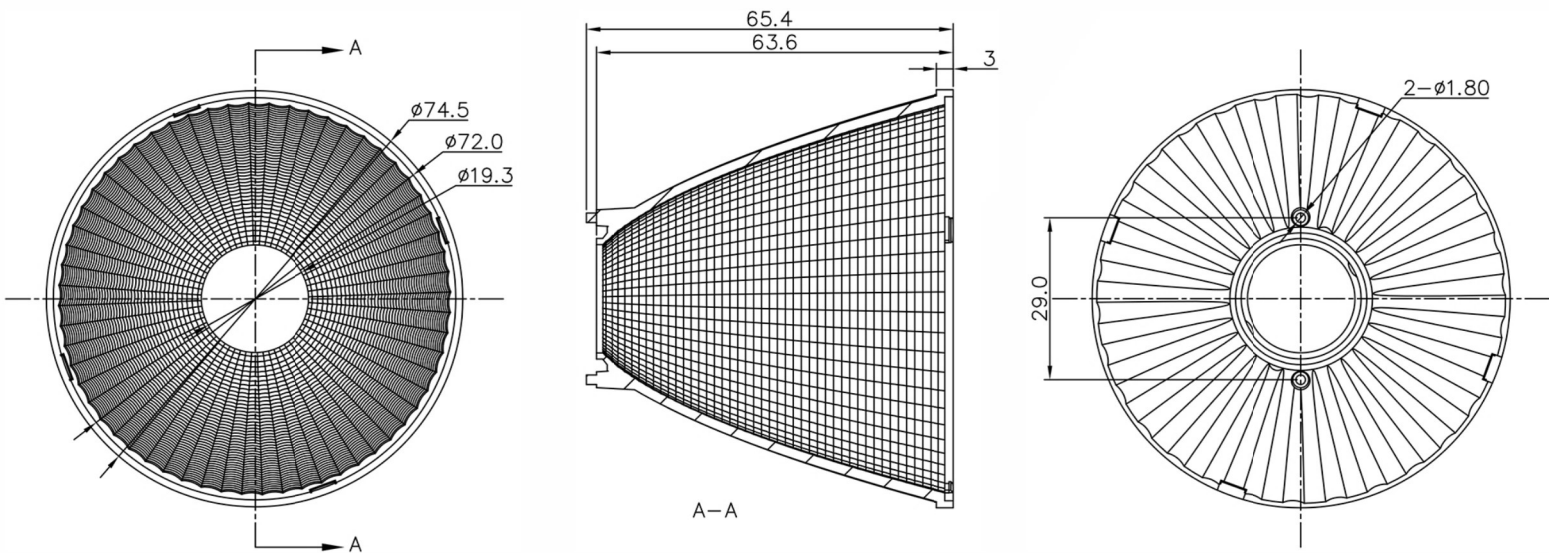


TRH0017-P

PHOTOMETRIC DATA
Relative intensity of BR07515

Relative intensity of BR07530

Relative intensity of BR07538


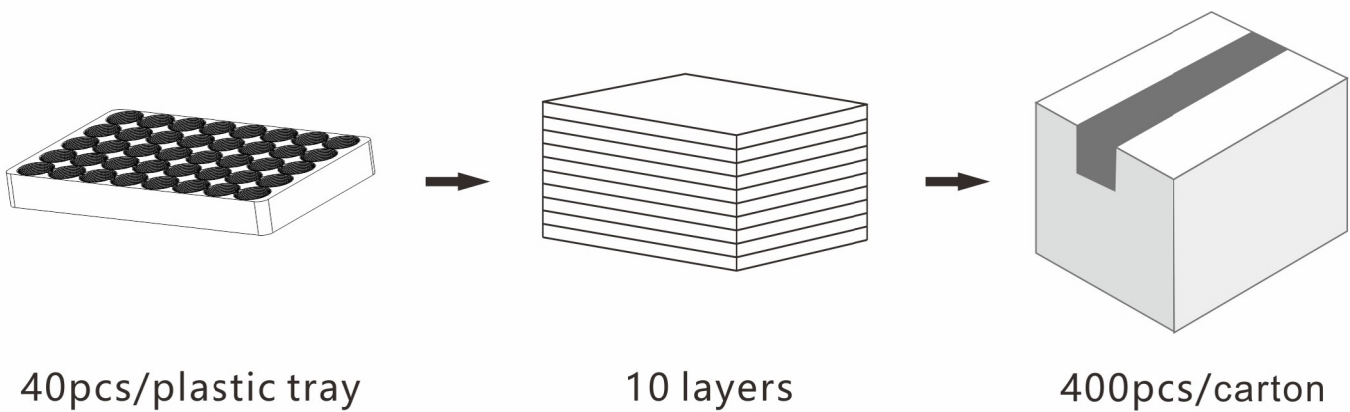
PRODUCT DIMENSION

Unit:mm



PACKING INFORMATION

Packing quantity	400pcs/10 layers / carton
Gross weight	16.1kgs
Carton measurement	650*400*680mm



Note:

- * Above measurement and weight are measured manually.
If there have any difference, please refer to the actual product.

2/F, Building C1, No.73 Weiwu Road, Zengcheng, Guangzhou, China



Tel: +86 20 8266 0966
Fax: +86 20 8264 3119

E-mail: sales@opto-source.com
Website: www.opto-source.com