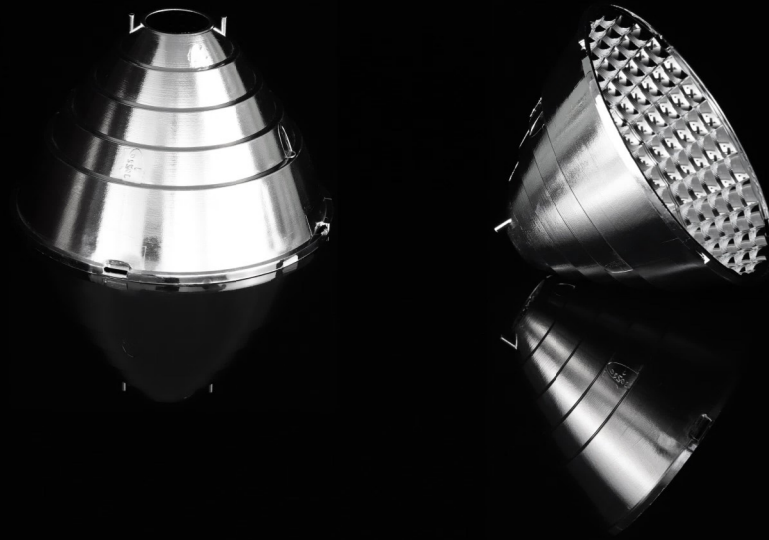
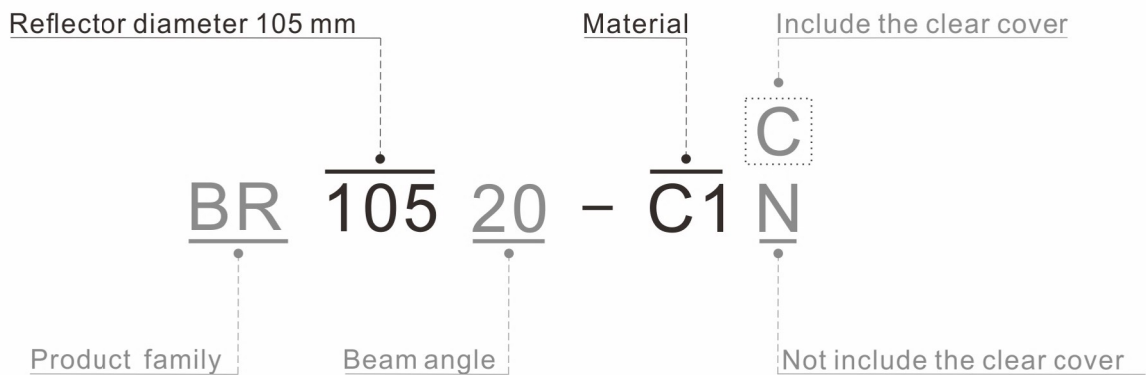


PRODUCT SPECIFICATION
BR105

Version:20191009v1



Basic parameters	-----	P2
Photometric data	-----	P3
Product dimension	-----	P4
Packing information	-----	P5

PRODUCT EXPLAIN


BASIC PARAMETERS

Model	BR105
Beam angle	20°/40°/60°
Cover	Clear
Operating temperature (Tj)	≤85°C
Plating/Color	Vacuum plating/Silver
RoHS	Yes
Material	PC
Lens	No

SOURCE

Bridgelux: E10 / V15 Gen8 / V18 Gen7 / V18 Gen6 / V15 Gen6 / Vero 18 Gen6 / Vero 18 Gen7

Cree: CXA25xx / CXB25xx / CMT2550

Citizen: CLU03x-12xx / CLU04x-12xx / CLU711 / CLU712

Lumileds: 1211

Luminus: CXM-22 Gen1 / CXM-22 Gen2 / CLM-22 Gen3 / CXM-22 Gen3 / CIM-22 Gen4 / CLM-22 Gen4
CGM-22 Gen4

Nichia: NFCWD084B / NFCWD096B / NFCWJ108B / NFCWJ120B / NFDWJ130B / NVEWJ048Z

Samsung: LC040D / LC060D / LC080D

Tridonic: SLE G7 13mm / SLE G7 15mm

HOLDERS



BCH1330-A



BCHV1825-A



BRHV015-P



BRHV1518-A



CIHL030-P



CRH2520-P



H182420A-01



PIH1208-P



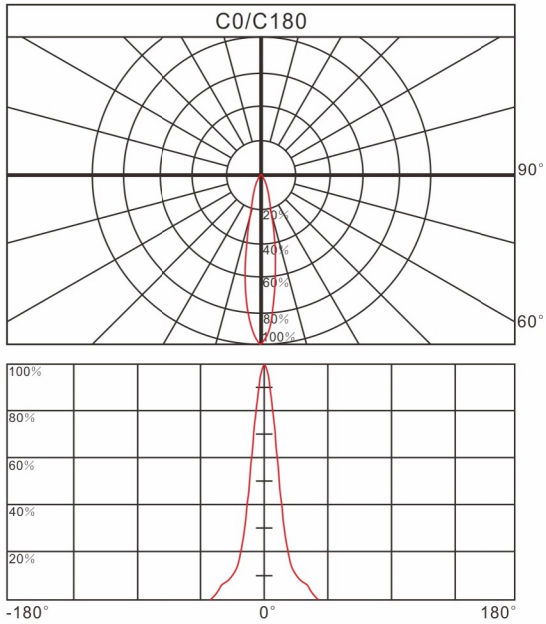
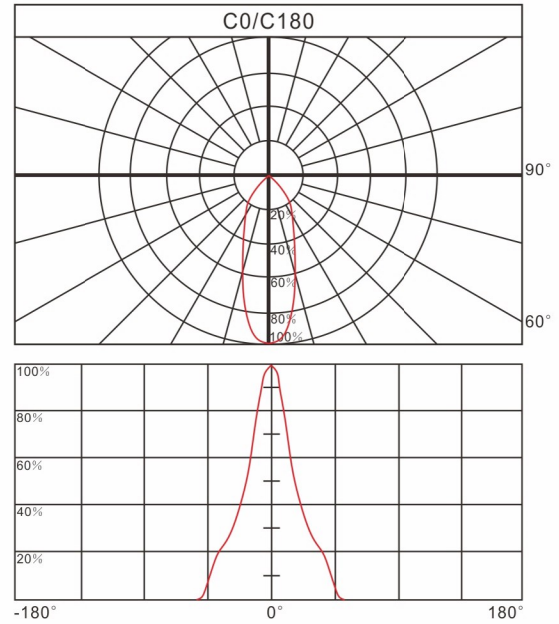
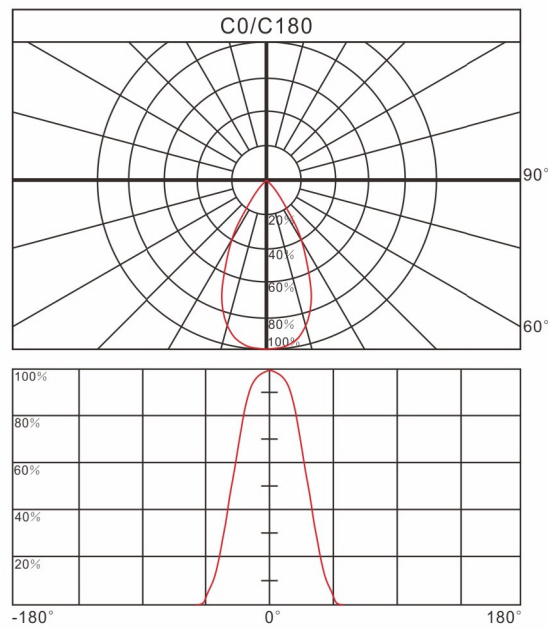
SHHMEGA-P



SAHC026-P

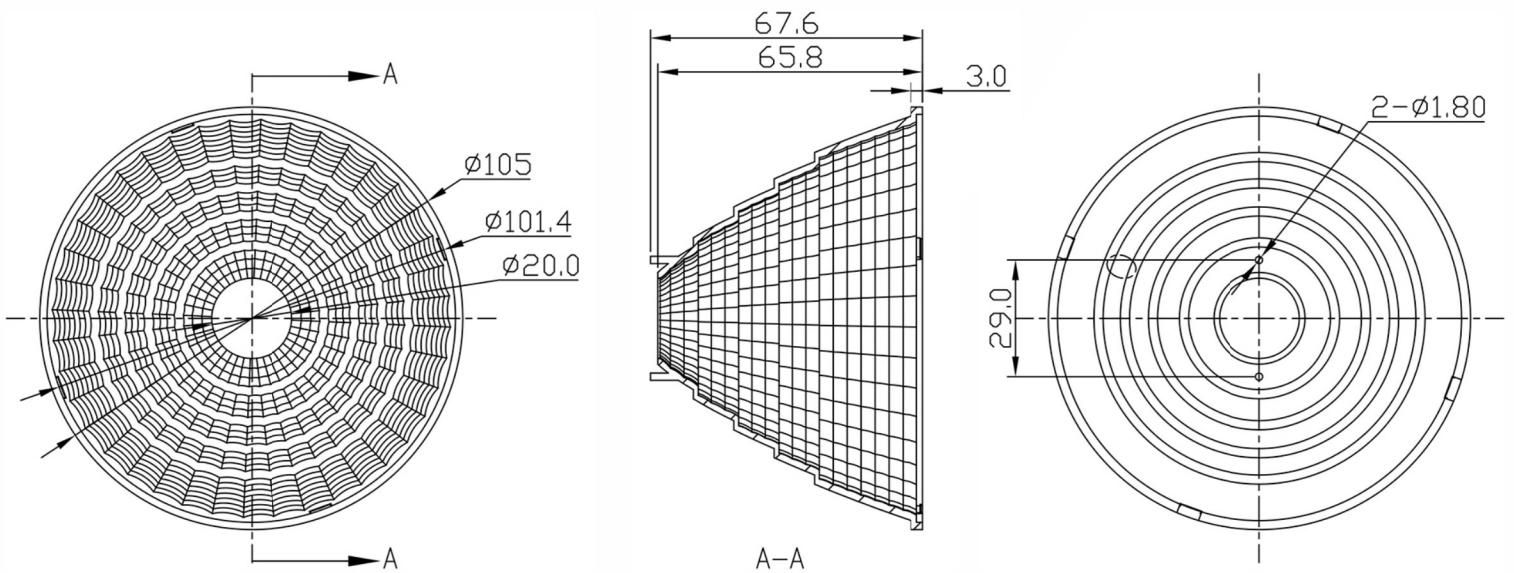


TRH0017-P

PHOTOMETRIC DATA
Relative intensity of BR10520

Relative intensity of BR10540

Relative intensity of BR10560


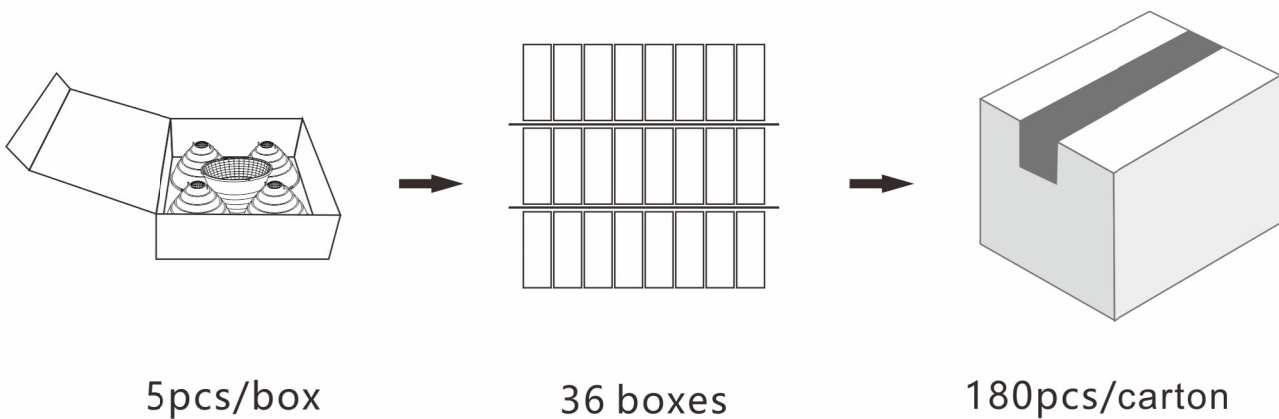
PRODUCT DIMENSION

Unit:mm



PACKING INFORMATION

Packing quantity	180pcs/36 boxes / carton
Gross weight	9.3kgs
Carton measurement	650*400*680mm



Note:

- * Above measurement and weight are measured manually.
If there have any difference, please refer to the actual product.

2/F, Building C1, No.73 Weiwu Road, Zengcheng, Guangzhou, China



Tel: +86 20 8266 0966
Fax: +86 20 8264 3119

E-mail: sales@opto-source.com
Website: www.opto-source.com