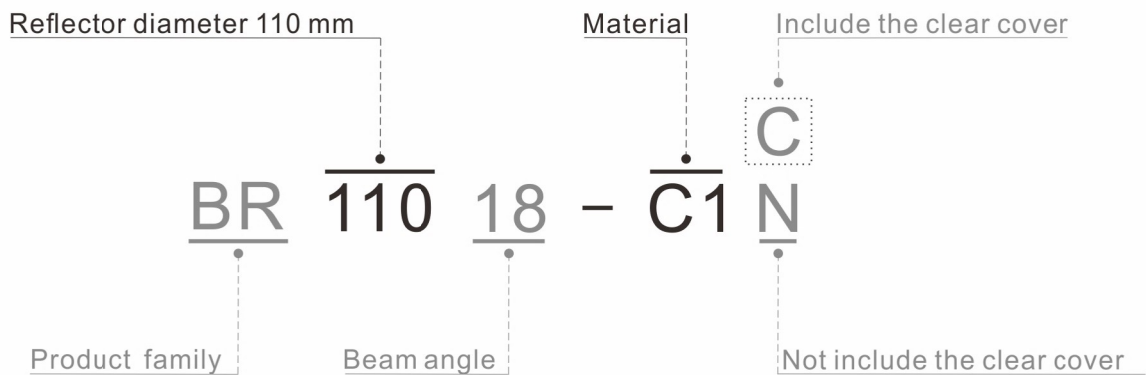


**PRODUCT SPECIFICATION**
**BR110**

Version:20191009v1



Basic parameters	-----	P2
Photometric data	-----	P3
Product dimension	-----	P4
Packing information	-----	P5

**PRODUCT EXPLAIN**


---

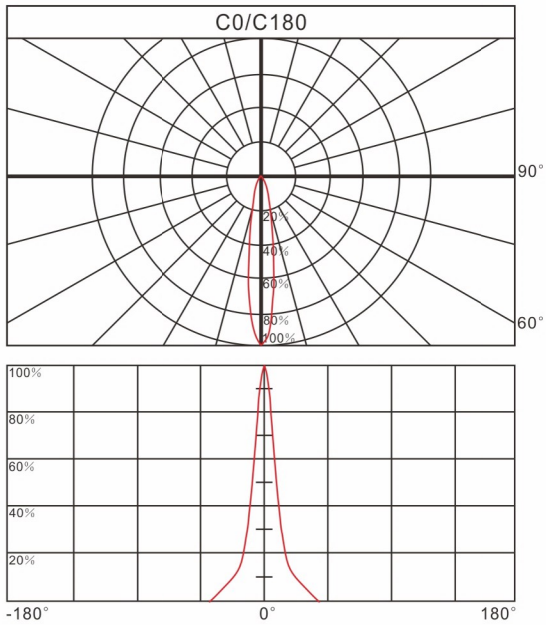
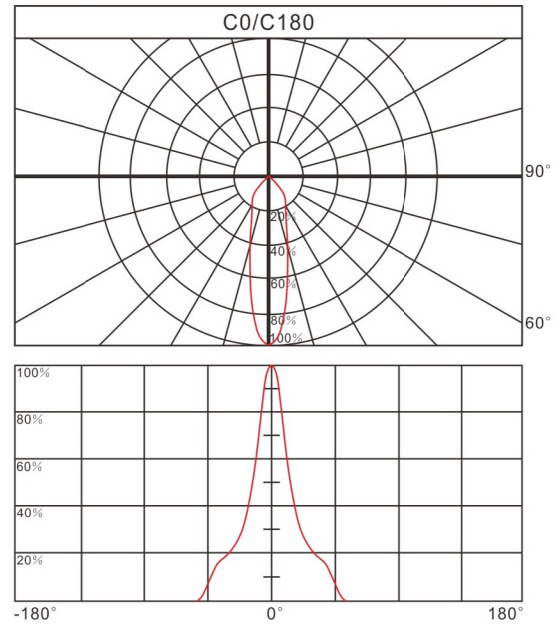
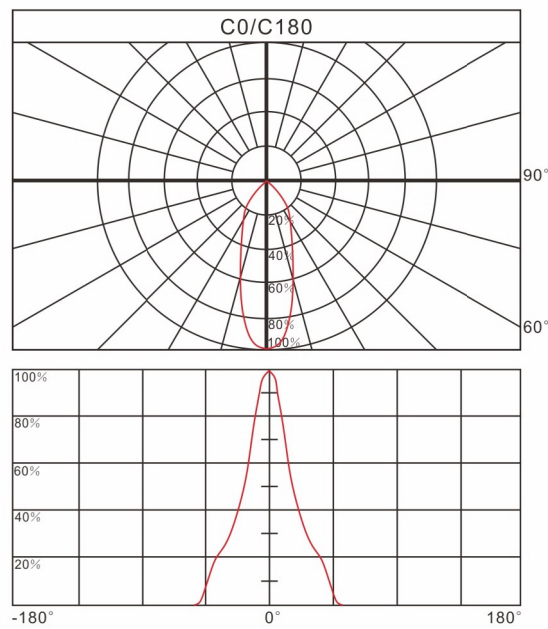
**BASIC PARAMETERS**

Model	BR110
Beam angle	18°/28°/40°
Cover	Clear
Operating temperature (Tj)	≤85°C
Plating/Color	Vacuum plating/Silver
RoHS	Yes
Material	PC
Lens	No

---

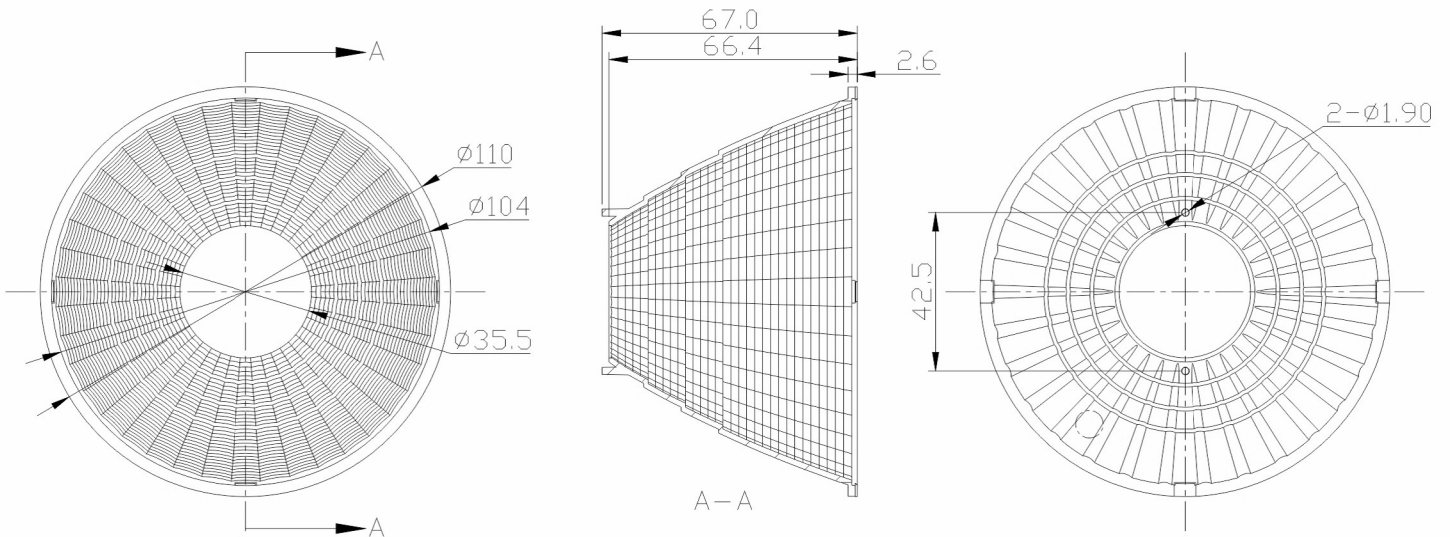
**SOURCE**

Bridgelux: Vero 29 Gen6 / Vero 29 Gen7

**PHOTOMETRIC DATA**
**Relative intensity of BR11018**

**Relative intensity of BR11028**

**Relative intensity of BR11040**


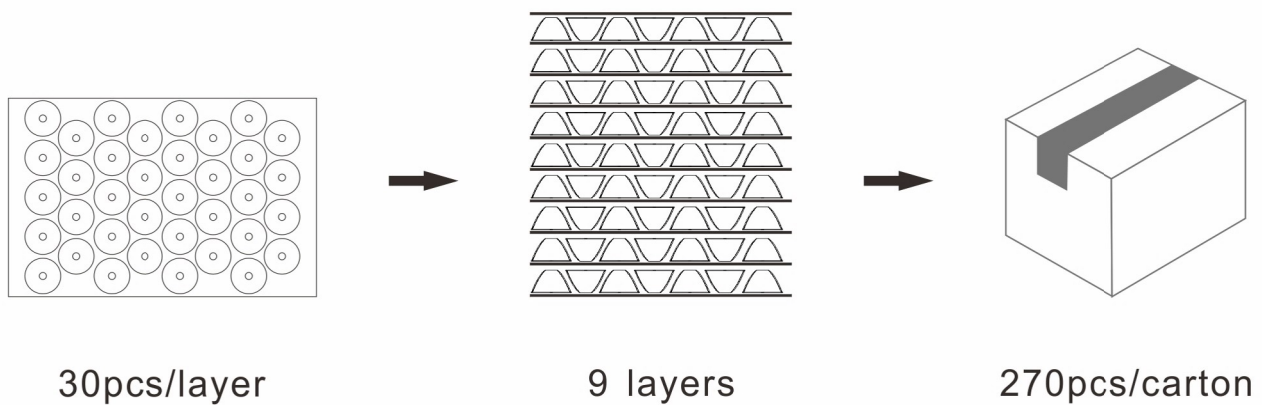
**PRODUCT DIMENSION**

Unit:mm



**PACKING INFORMATION**

Packing quantity	270pcs/9 layers / carton
Gross weight	10kgs
Carton measurement	650*400*680mm



Note:

- \* Above measurement and weight are measured manually.  
If there have any difference, please refer to the actual product.

2/F, Building C1, No.73 Weiwu Road, Zengcheng, Guangzhou, China



Tel: +86 20 8266 0966  
Fax: +86 20 8264 3119

E-mail: [sales@opto-source.com](mailto:sales@opto-source.com)  
Website: [www.opto-source.com](http://www.opto-source.com)