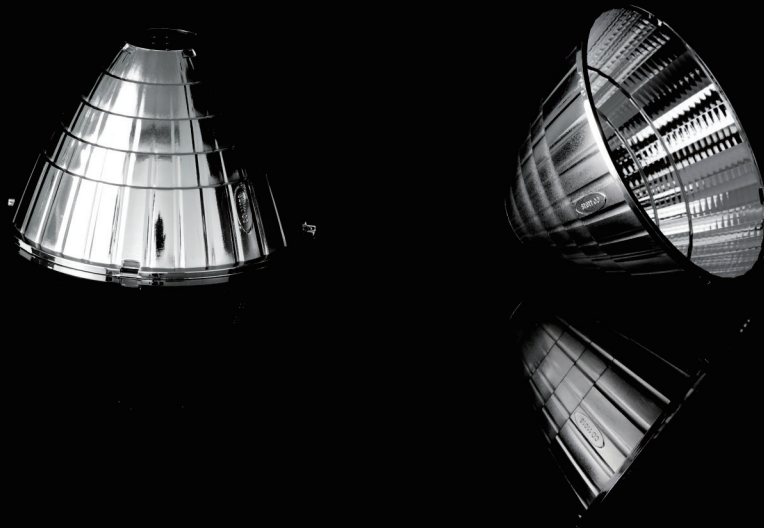


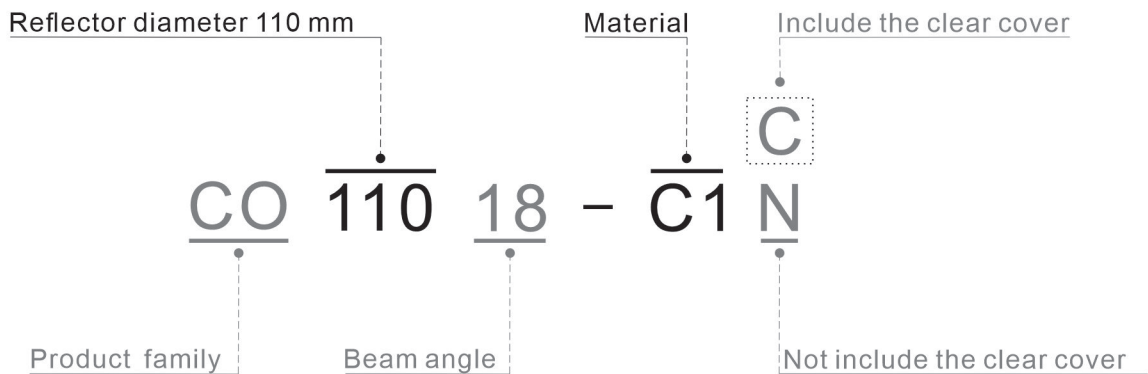
PRODUCT SPECIFICATION

CO110

Version:20191009v1



Basic parameters	-----	P2
Photometric data	-----	P3
Product dimension	-----	P4
Packing information	-----	P5

PRODUCT EXPLAIN


BASIC PARAMETERS

Model	CO110
Beam angle	18°/28°/38°
Cover	Clear
Operating temperature (Tj)	≤ 85°C
Plating/Color	Vacuum plating/Silver
RoHS	Yes
Material	PC
Lens	No

SOURCE

Bridgelux: E22 / V18 Gen8 / V22 Gen7 / V22 Gen6

Cree: CXA3050 / CXA3070 / CAB3050 / CXB3070 / CMT28xx / CMA3090

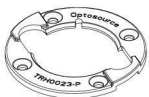
Citizen: CLU04x-12xx

Luminus: CVM-32(AC00) Gen1 / CXM-32(AC00) Gen1 / CXM-32 Gen3 / CXM-32 Gen4

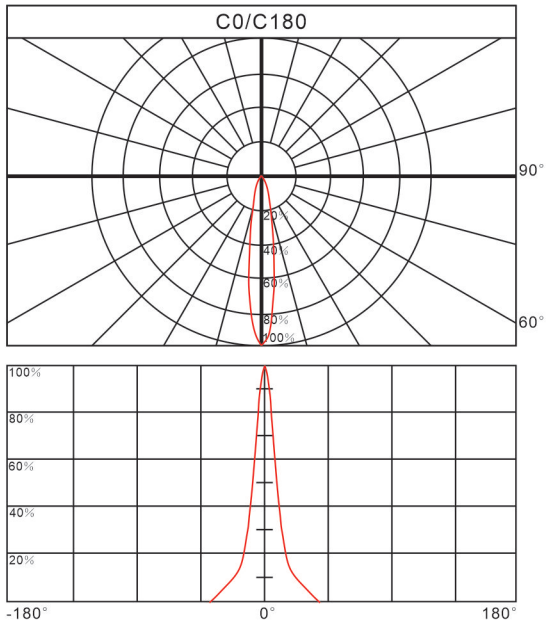
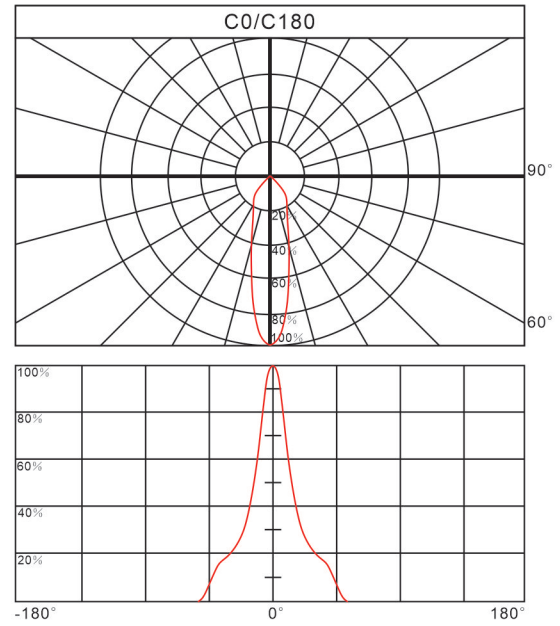
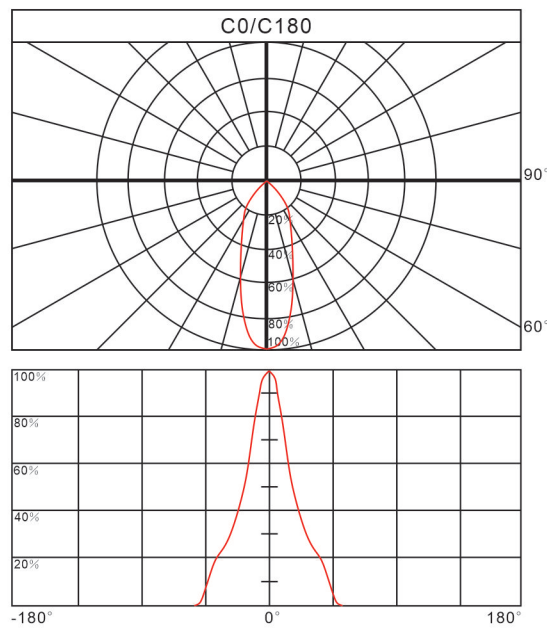
Seoul: SAW033EAA / SAW833EAA / SAW933EAA / SAW833GCA / SAW933GCA

Tridonic: SLE G7 17mm / SLE G7 21mm

HOLDERS

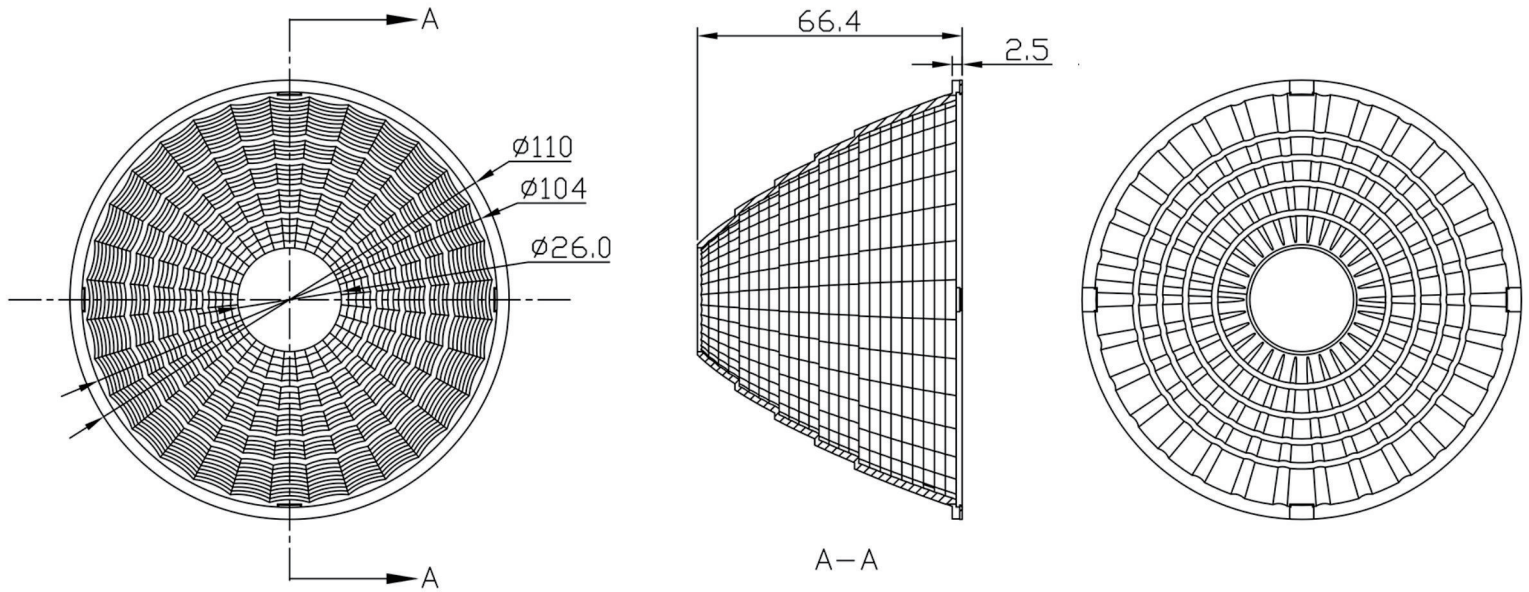


TRH0023-P

PHOTOMETRIC DATA
Relative intensity of CO11018

Relative intensity of CO11028

Relative intensity of CO11038


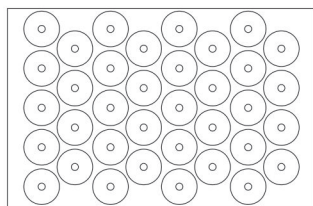
PRODUCT DIMENSION

Unit:mm

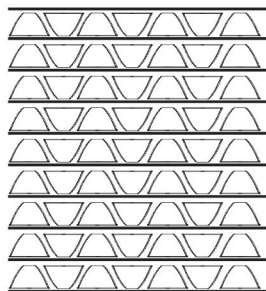


PACKING INFORMATION

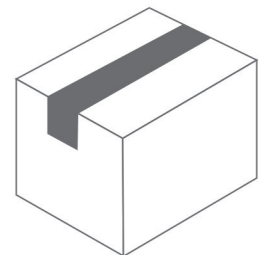
Packing quantity	270pcs/9 layers / carton
Gross weight	10kgs
Carton measurement	650*400*680mm



30pcs/layer



9 layers



270pcs/carton

Note:

- * Above measurement and weight are measured manually.
If there have any difference, please refer to the actual product.

2/F, Building C1, No.73 Weiwu Road, Zengcheng, Guangzhou, China



Tel: +86 20 8266 0966
Fax: +86 20 8264 3119

E-mail: sales@opto-source.com
Website: www.opto-source.com