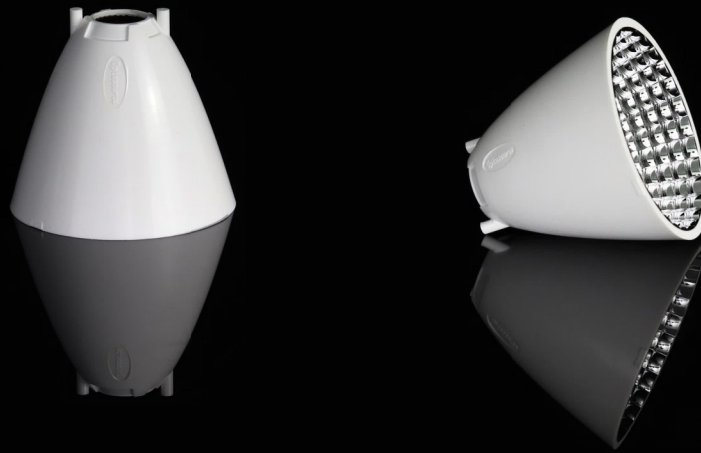


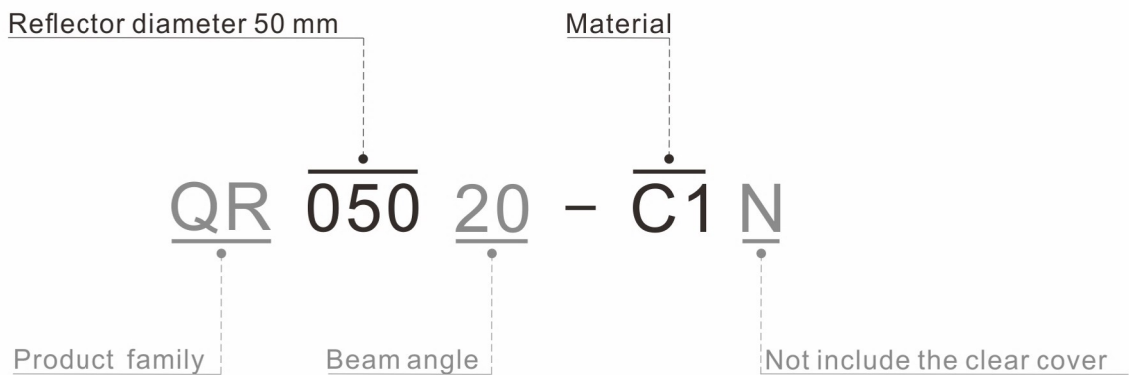
PRODUCT SPECIFICATION
QR050-C1N

Version:20191009v1



Basic parameters	-----	P2
Photometric data	-----	P3
Product dimension	-----	P4
Packing information	-----	P5

PRODUCT EXPLAIN



BASIC PARAMETERS

Model	QR050-C1N
Beam angle	20°/38°
Cover	No
Operating temperature (Tc)	≤70°C
Plating/Color	Vacuum plating/Silver
RoHS	Yes
Material	PC
Lens	No

SOURCE

Bridgelux: E6 / E8 / E10 / V8 Gen8 / V10 Gen8 / V6 HD / Vero 10 Gen6 / Vero 10 Gen7

Cree: CXA15xx / CXB15xx / CMA1516 / CMT14xx

Citizen: CLU02x-120x / CLU7A2 / CLU7B2 / CLU701 / CLU702

Lumileds: 1202s / 1202HD

Luminus: CHM-9(AC00) Gen1 / CLM-9(AC00) Gen1 / CXM-9(AC00) Gen1 / CHM-6-XH20 Gen2

CHM-9(AC10) Gen2 / CXM-9(AC00) Gen2 / CIM-9(AC30) Gen3 / CLM-9(AC30) Gen3

CXM-9(AC30) Gen3 / CIM-9 Gen4 / CLM-9(AC40) Gen4 / CXM-9 Gen4

Nichia: NTCWT012B / NTCWS024B / NVNWS007Z / NJCWS024Z

Osram: S9

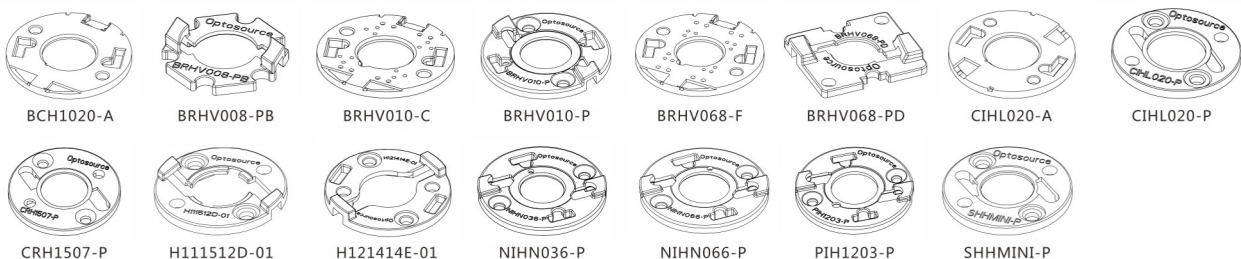
Samsung: LC010C / LC003D / LC006D / LC009D / LC013D

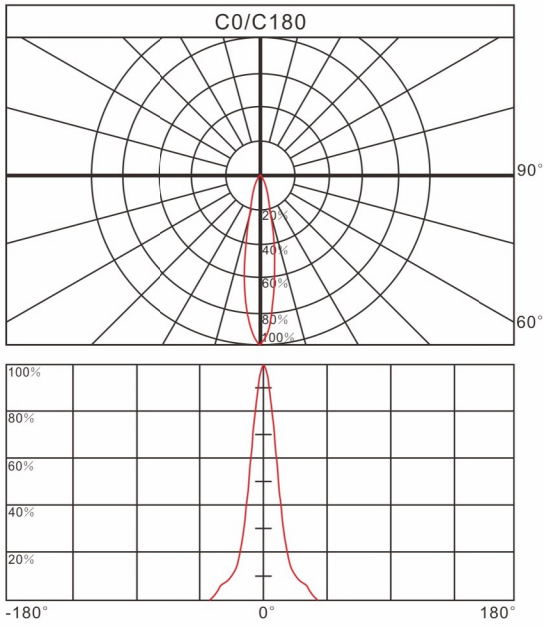
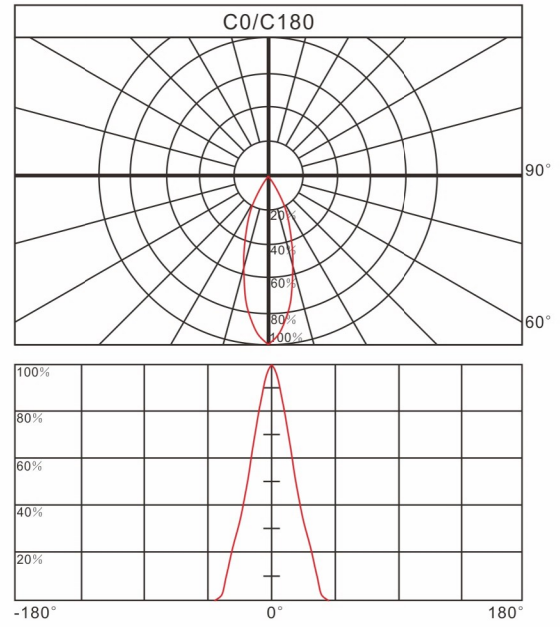
Seoul: SAWS0661A / SAWS1063A / SAW00661A / SAW01062A / SAW01063A / SAW80661A

SAW90661A / SAW81062A / SAW91062A / SAW81063A / SAW91063A

Tridonic: SLE G7 9mm

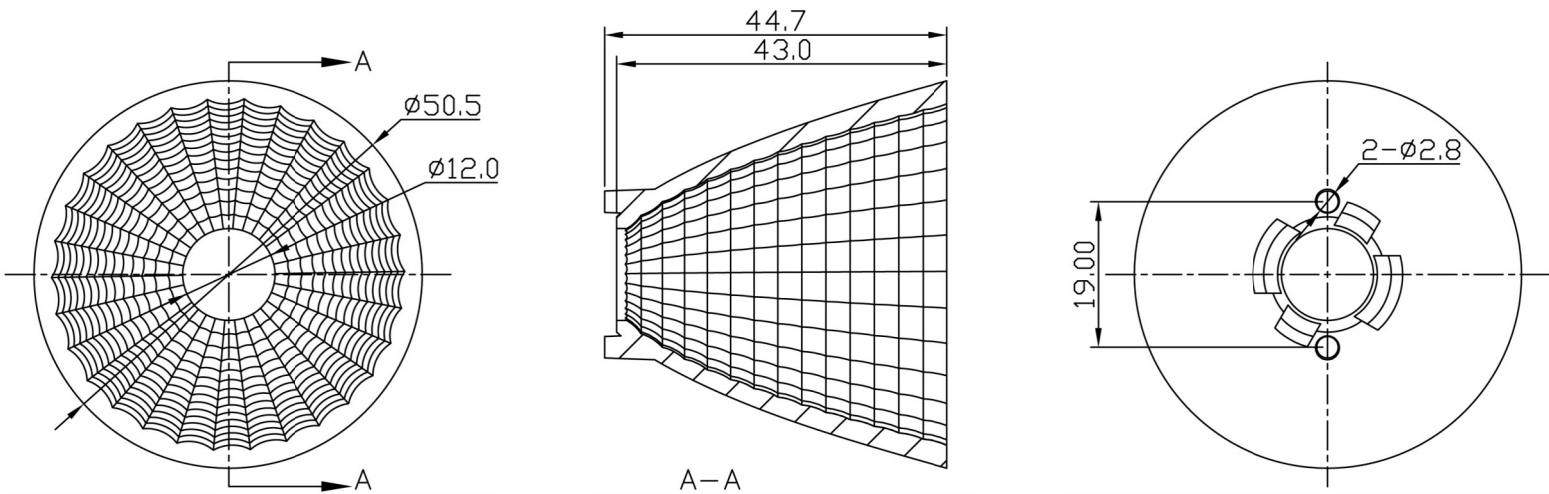
HOLDERS



PHOTOMETRIC DATA
Relative intensity of QR05020

Relative intensity of QR05038


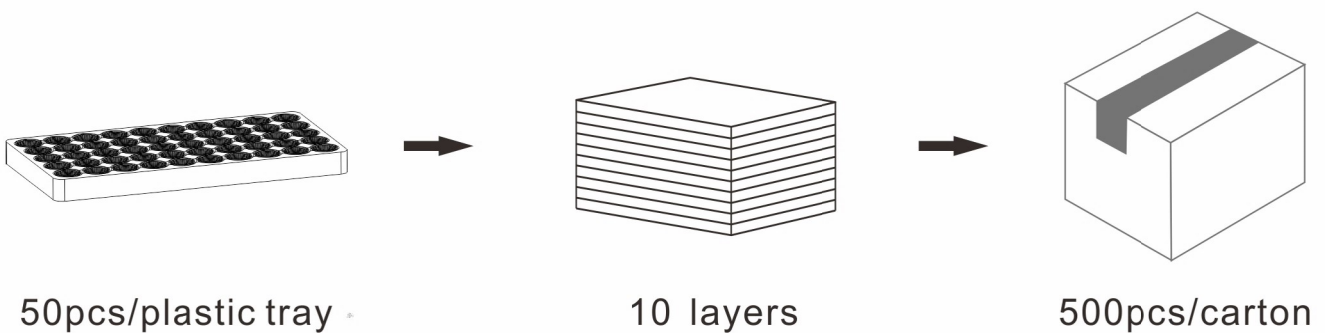
PRODUCT DIMENSION

Unit:mm



PACKING INFORMATION

Packing quantity	500pcs/10 layers / carton
Gross weight	9.2kgs
Carton measurement	560*345*440mm



Note:

- * Above measurement and weight are measured manually.
If there have any difference, please refer to the actual product.

2/F, Building C1, No.73 Weiwu Road, Zengcheng, Guangzhou, China



Tel: +86 20 8266 0966
Fax: +86 20 8264 3119

E-mail: sales@opto-source.com
Website: www.opto-source.com