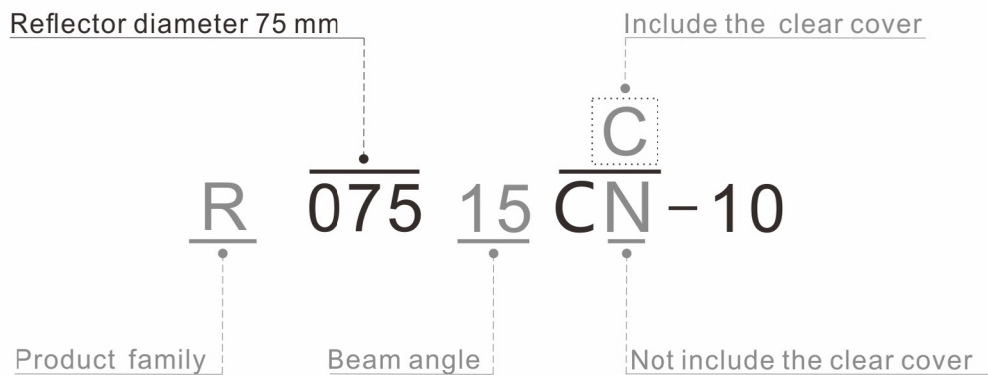


**PRODUCT SPECIFICATION**
**R075CN**

Version:20191009v1



Basic parameters	-----	P2
Photometric data	-----	P3
Product dimension	-----	P4
Packing information	-----	P5

**PRODUCT EXPLAIN**


## BASIC PARAMETERS

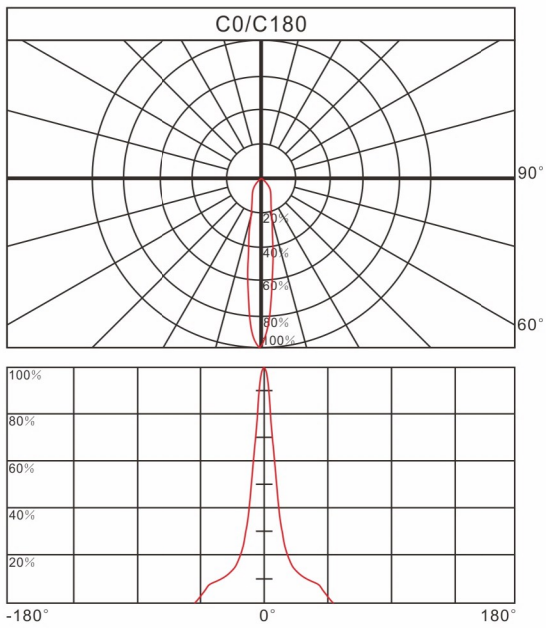
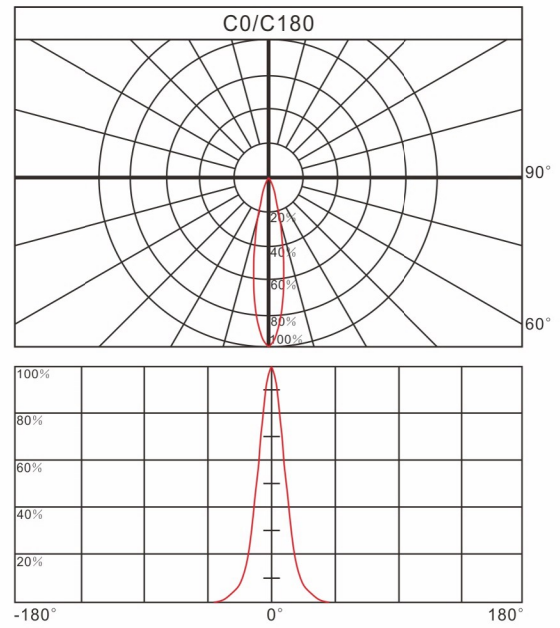
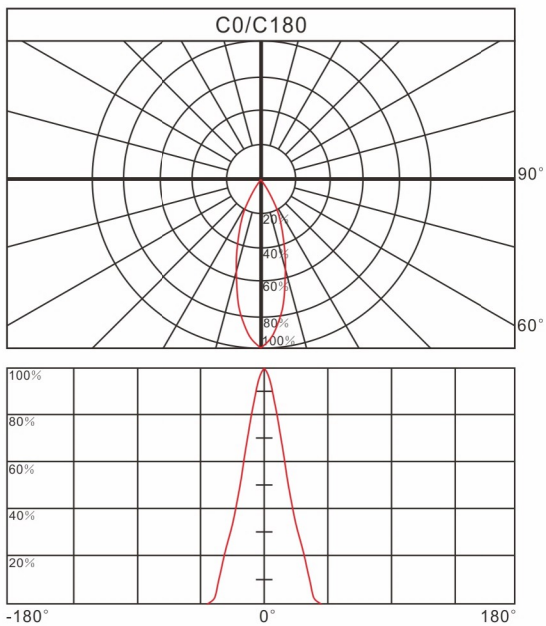
Model	R075CN
Beam angle	15°/24°/38°
Cover	Clear / Foggy
Operating temperature (Tc)	≤70°C
Plating/Color	Vacuum plating/Silver
RoHS	Yes
Material	PC
Lens	No

## SOURCE

Bridgelux: Vero 18 Gen7 / Vero 18 Gen8

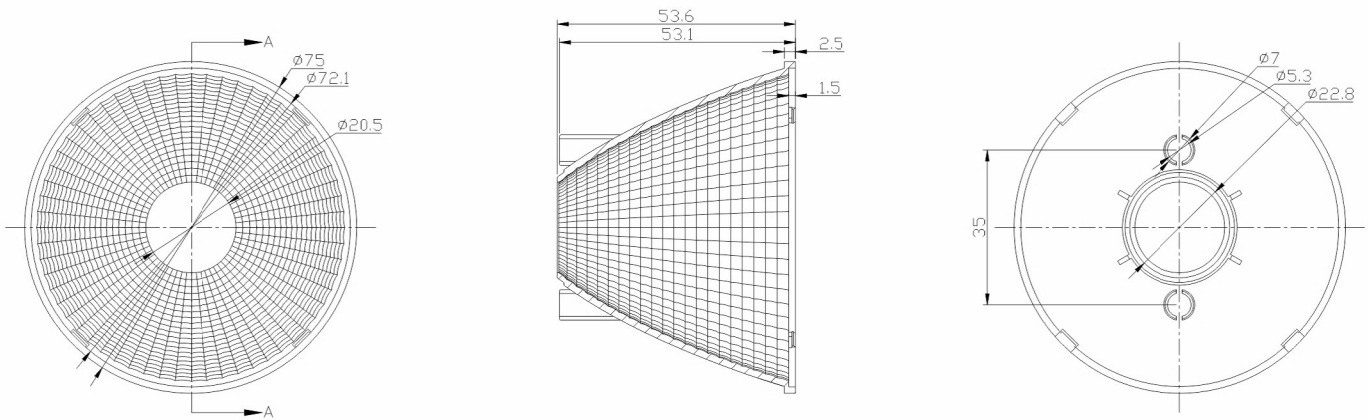
Osram: CORE-PRO-5000 / CORE-PRO-4000 / CORE-PRO-3000

Tridonic: SLE G7 15mm

**PHOTOMETRIC DATA**
**Relative intensity of R07515**

**Relative intensity of R07524**

**Relative intensity of R07538**


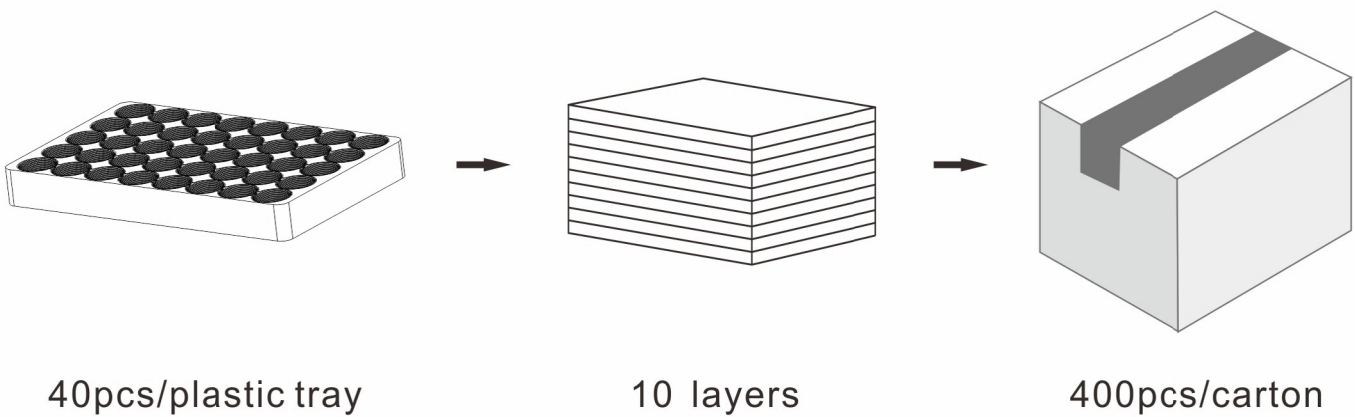
**PRODUCT DIMENSION**

Unit:mm



**PACKING INFORMATION**

Packing quantity	400pcs/10 layers / carton
Gross weight	16kgs
Carton measurement	650*400*680mm



Note:

- \* Above measurement and weight are measured manually.  
If there have any difference, please refer to the actual product.

2/F, Building C1, No.73 Weiwu Road, Zengcheng, Guangzhou, China



Tel: +86 20 8266 0966  
Fax: +86 20 8264 3119

E-mail: [sales@opto-source.com](mailto:sales@opto-source.com)  
Website: [www.opto-source.com](http://www.opto-source.com)