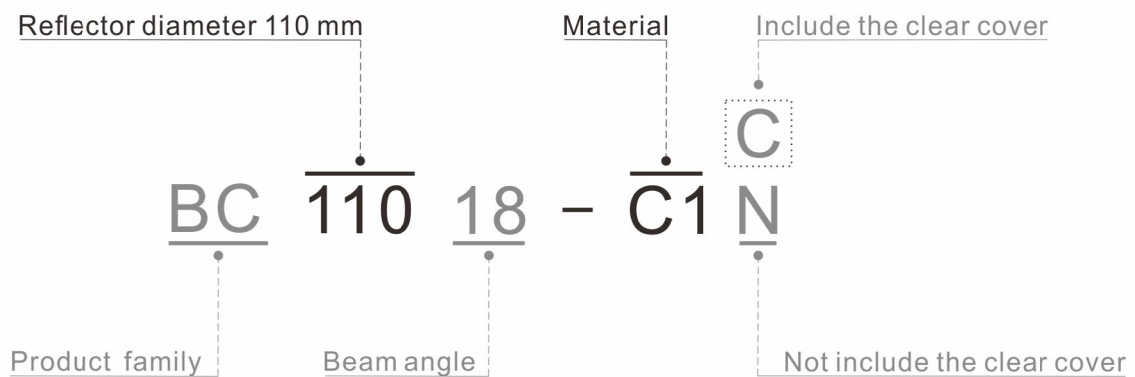


PRODUCT SPECIFICATION
BC110

Version:20191009v1



Basic parameters	-----	P2
Photometric data	-----	P3
Product dimension	-----	P4
Packing information	-----	P5

PRODUCT EXPLAIN


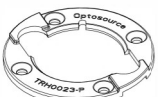
BASIC PARAMETERS

Model	BC110
Beam angle	18°/28°/40°
Cover	Clear
Operating temperature (Tj)	≤85°C
Plating/Color	Vacuum plating/Silver
RoHS	Yes
Material	PC
Lens	No

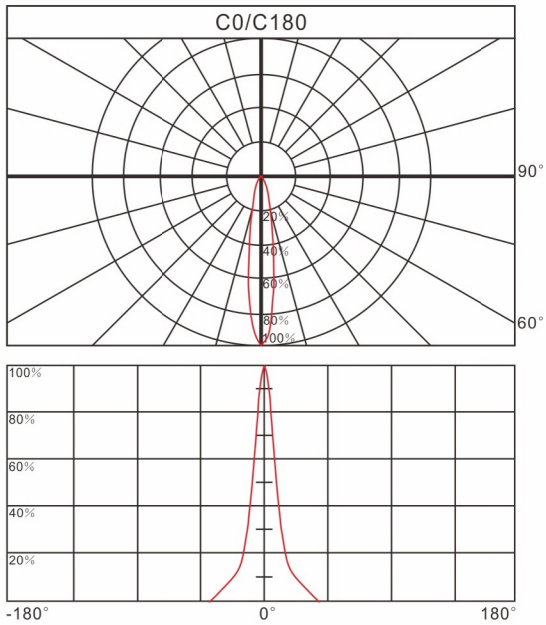
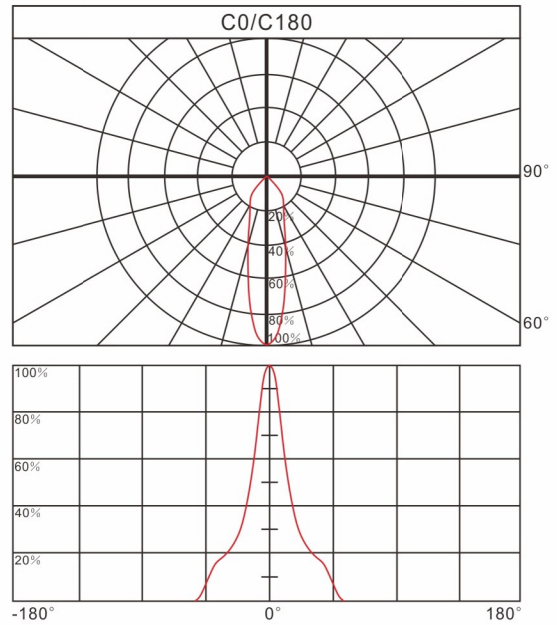
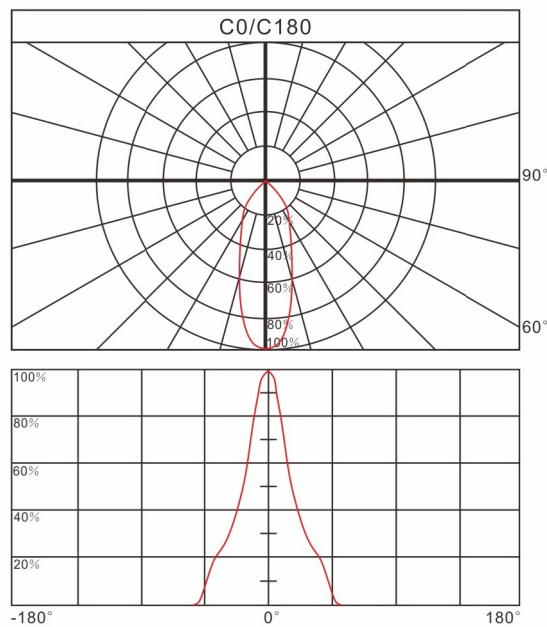
SOURCE

Citizen: CLU05x-1825 / CLU05x-3618
 Lumileds: 1321
 Tridonic: SLE G7 21mm

HOLDERS

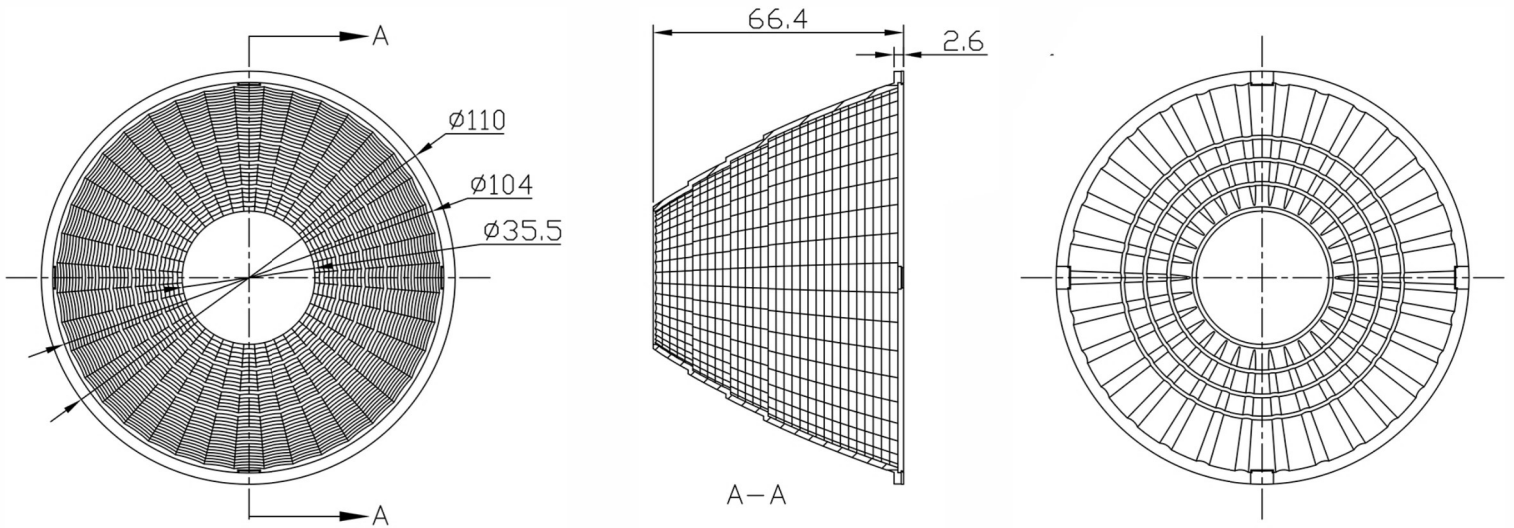


TRH0023-P

PHOTOMETRIC DATA
Relative intensity of BC11018

Relative intensity of BC11028

Relative intensity of BC11040


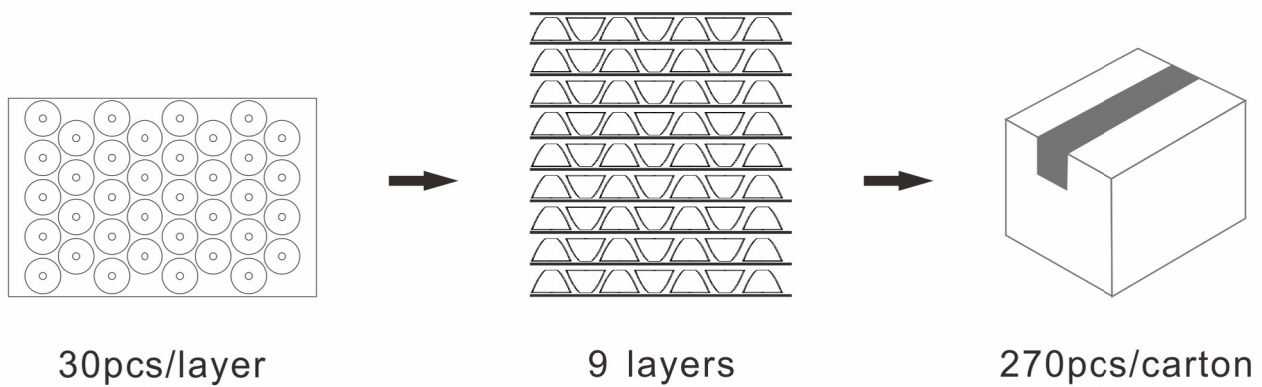
PRODUCT DIMENSION

Unit:mm



PACKING INFORMATION

Packing quantity	270pcs/9 layers / carton
Gross weight	9 kgs
Carton measurement	650*400*680mm



Note:

* Above measurement and weight are measured manually.
If there have any difference, please refer to the actual product.

2/F, Building C1, No.73 Weiwu Road, Zengcheng, Guangzhou, China



Tel: +86 20 8266 0966
Fax: +86 20 8264 3119

E-mail: sales@opto-source.com
Website: www.opto-source.com