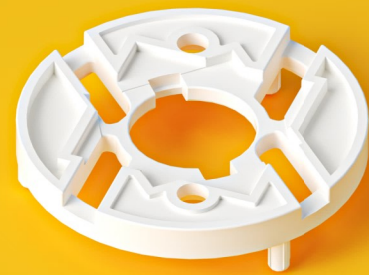
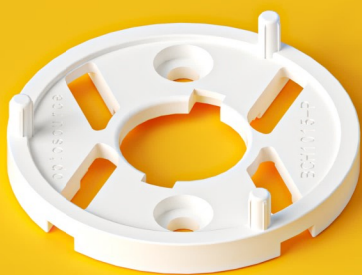




BCH1015-P

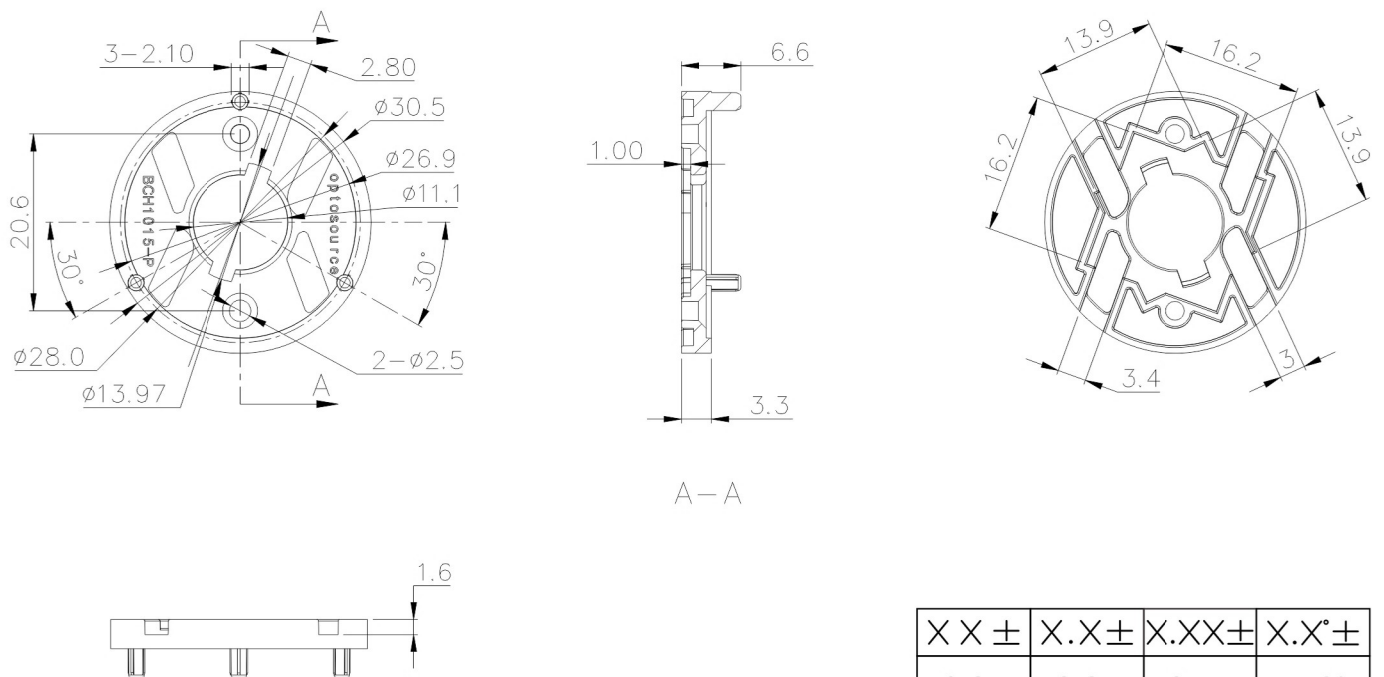
Date:20231109 **Ver1.0**



BASIC PARAMETERS

Order code	BCH1015-P
COB dimension(mm)	13.5 * 13.5 * 1.0 / 15.8 * 15.8 * 1.1
Material	PC
Holder dimension(mm)	ø30.5 * 6.6
Operating temperature	Tj ≤ 85°C
Screw size	M2.5
Torque N.m	0.3~0.35 N.m
COB LES(mm)	6~11
RoHS	Yes

DRAWING



$\times \times \pm$	$\times . \times \pm$	$\times . \times \times \pm$	$\times . \times ^\circ \pm$
0.35	0.25	0.15	1.0°

Unit:mm



www.opto-source.com

- +86 20 8266 0966
- +86 20 8264 3119
- sales@opto-source.com
- www.opto-source.com
- 2/F, Building C1, No. 73, Weiwu Road, Zengcheng, Guangzhou, China, 511300

- Reflector - Lens - Mold

© 09/11/2023 Optosource, Inc. All rights reserved.