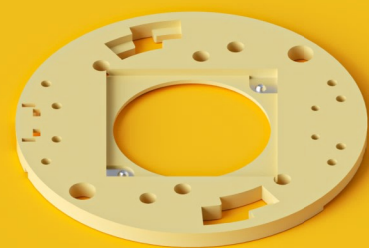
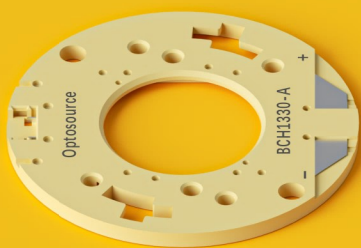




# BCH1330-A

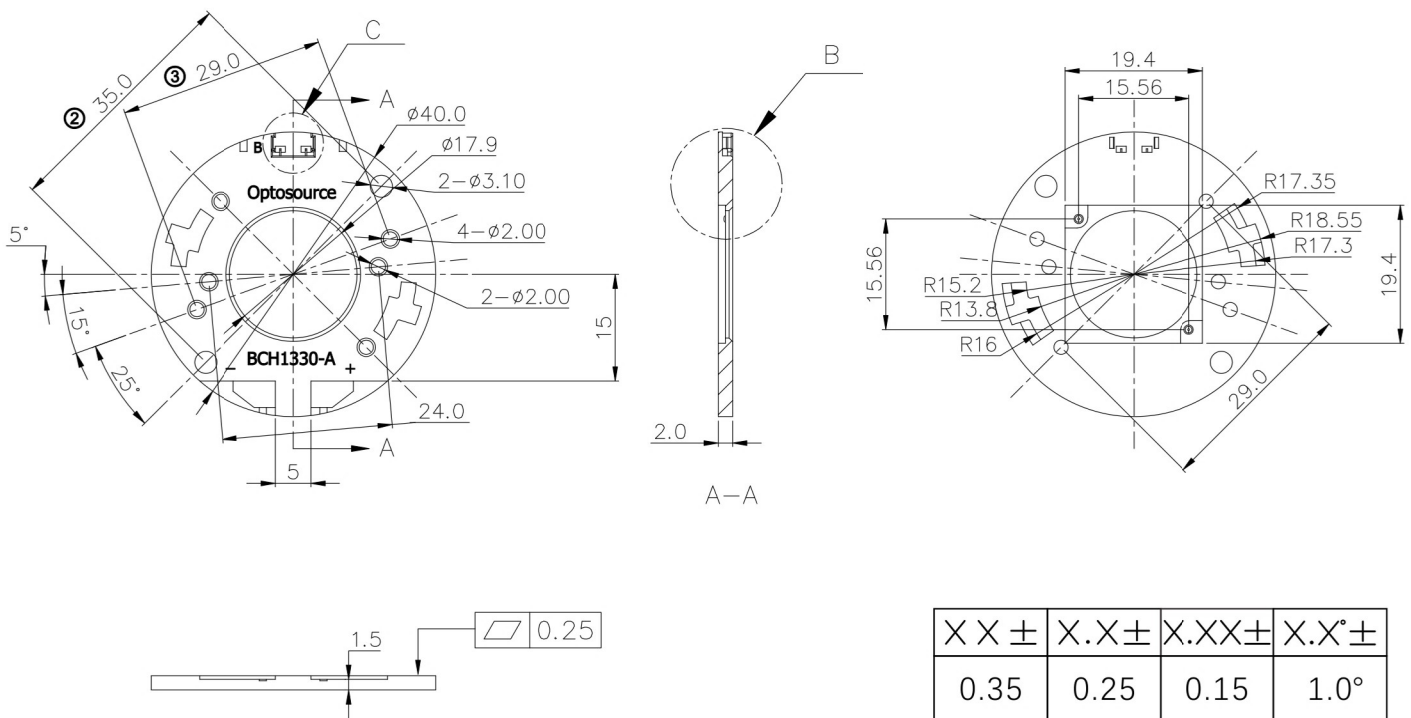
Date:20231109 **Ver1.0**



## BASIC PARAMETERS

Order code	BCH1330-A
COB dimension(mm)	19 * 19
Material	PC
Holder dimension(mm)	ø40 * 2
Operating temperature	Tj ≤ 85°C
Screw size	M3
Torque N.m	34 (3)
COB LES(mm)	10~17
RoHS	Yes

## DRAWING



Unit:mm



www.opto-source.com

- +86 20 8266 0966
- +86 20 8264 3119
- sales@opto-source.com
- www.opto-source.com
- 2/F, Building C1, No. 73, Weiwu Road, Zengcheng, Guangzhou, China, 511300

— Reflector — Lens — Mold

© 09/11/2023 Optosource, Inc. All rights reserved.