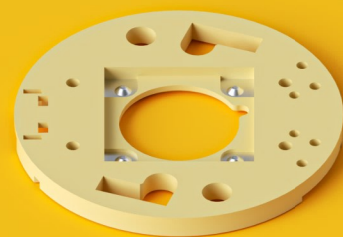
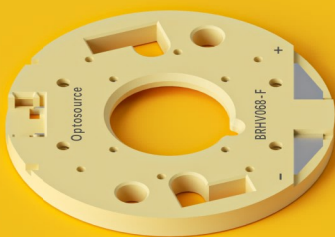




BRHV068-F

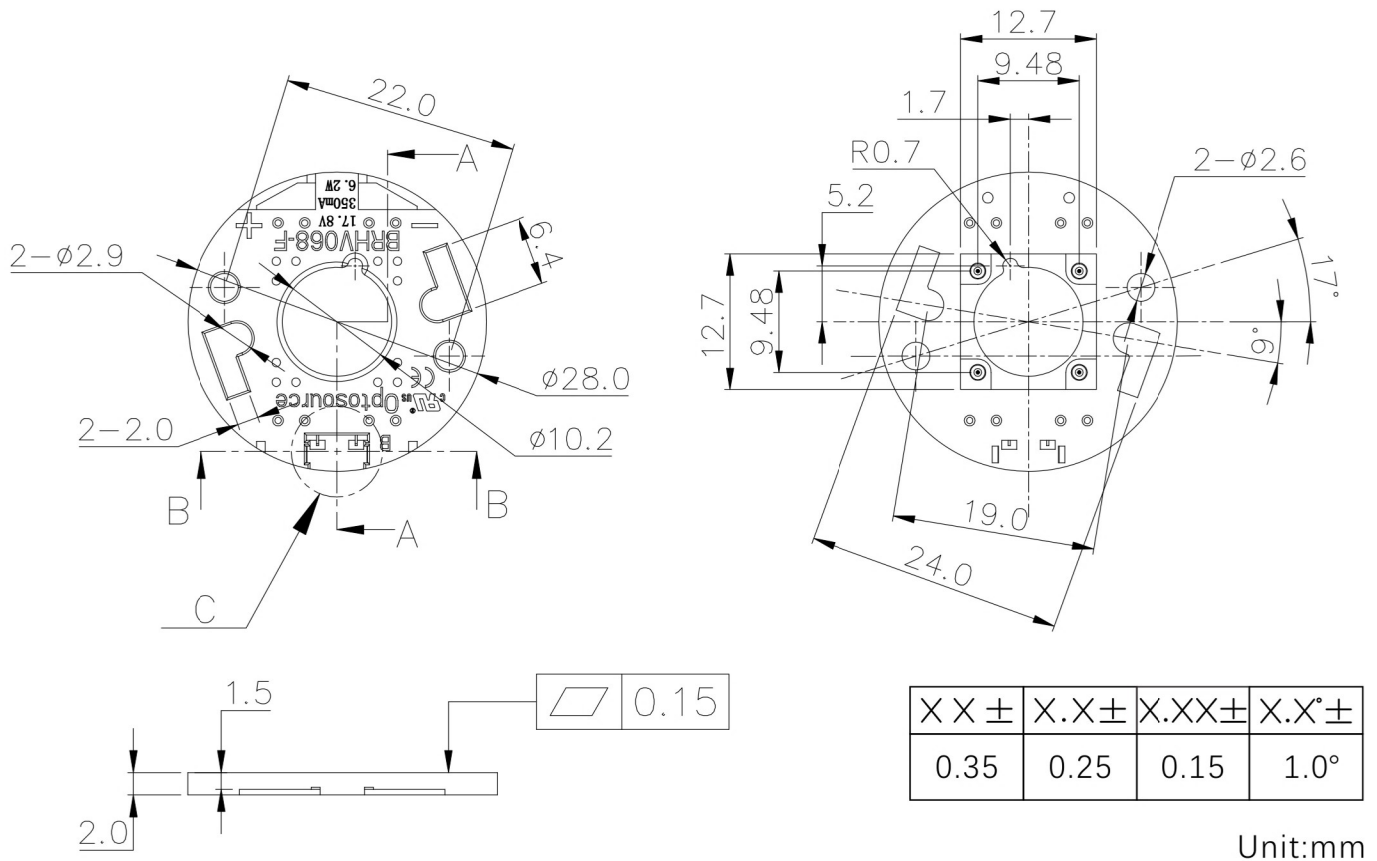
Date:20231109 **Ver1.0**



BASIC PARAMETERS

Order code	BRHV068-F
COB dimension(mm)	12.5 * 12.5 * 0.9
Material	PA9T / Cu
Holder dimension(mm)	ø28 * 2
Operating temperature	Tj ≤ 85°C
Screw size	M2.5
Torque N.m	34 (3)
COB LES(mm)	3~9
RoHS	Yes

DRAWING



www.opto-source.com

-  +86 20 8266 0966
-  +86 20 8264 3119
-  sales@opto-source.com
-  www.opto-source.com
-  2/F, Building C1, No.73, Weiwu Road, Zengcheng, Guangzhou, China, 511300

— Reflector — Lens — Mold

© 09/11/2023 Optosource, Inc. All rights reserved.