



BRHV068-PD

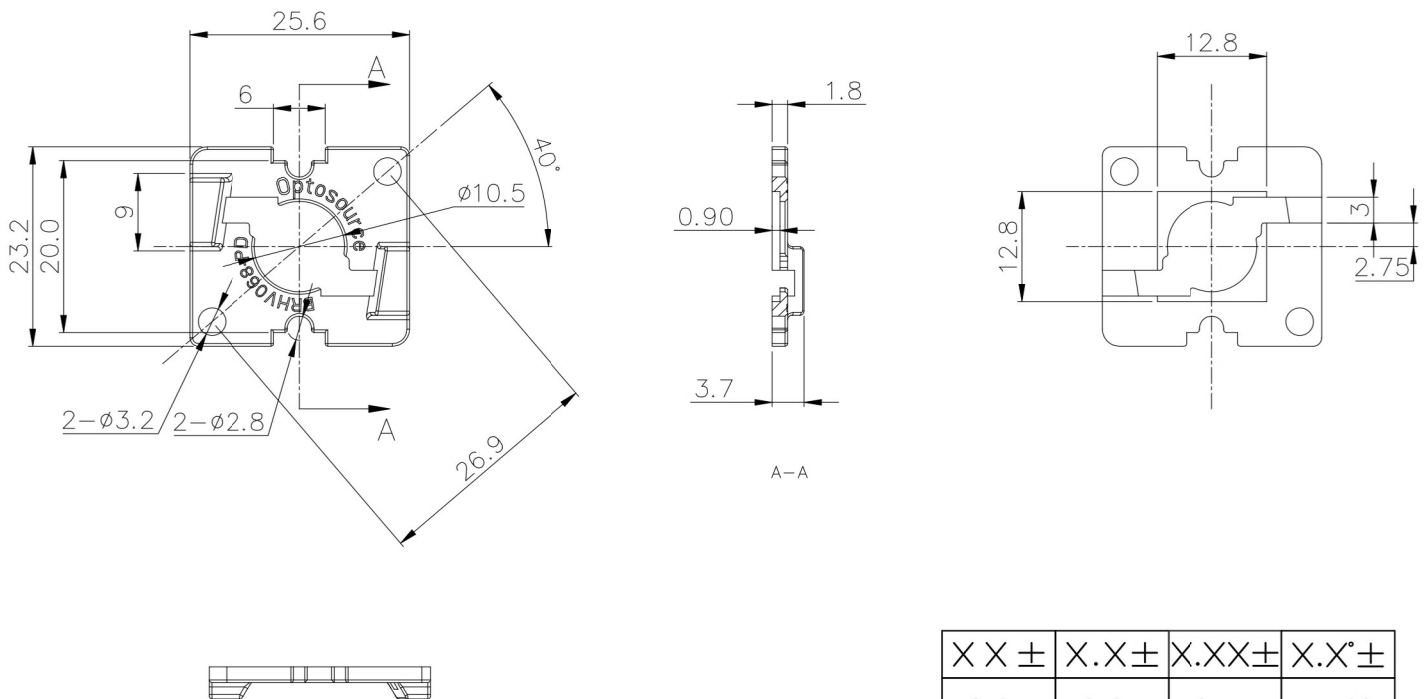
Date:20231109 **Ver1.0**



BASIC PARAMETERS

Order code	BRHV068-PD
COB dimension(mm)	12.5 * 12.5 * 1.0
Material	PC
Holder dimension(mm)	25.6 * 23.2 * 3.7
Operating temperature	$T_j \leq 85^\circ\text{C}$
Screw size	M3
Torque N.m	0.4~0.45 N.m
COB LES(mm)	3~9
RoHS	Yes

DRAWING








$\times \times \pm$	$\times . \times \pm$	$\times . \times \times \pm$	$\times . \times ^\circ \pm$
0.35	0.25	0.15	1.0°

Unit:mm



www.opto-source.com

-  +86 20 8266 0966
-  +86 20 8264 3119
-  sales@opto-source.com
-  www.opto-source.com
-  2/F, Building C1, No.73, Weiwu Road, Zengcheng, Guangzhou, China, 511300

— Reflector — Lens — Mold

© 09/11/2023 Optosource, Inc. All rights reserved.