



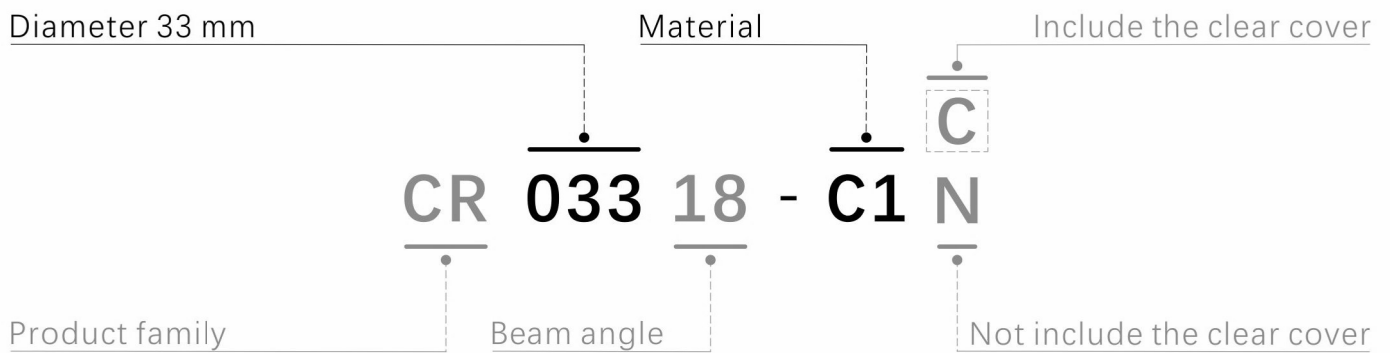
# CR033-C1C

Date:20231109 **Ver1.0**



## BASIC PARAMETERS

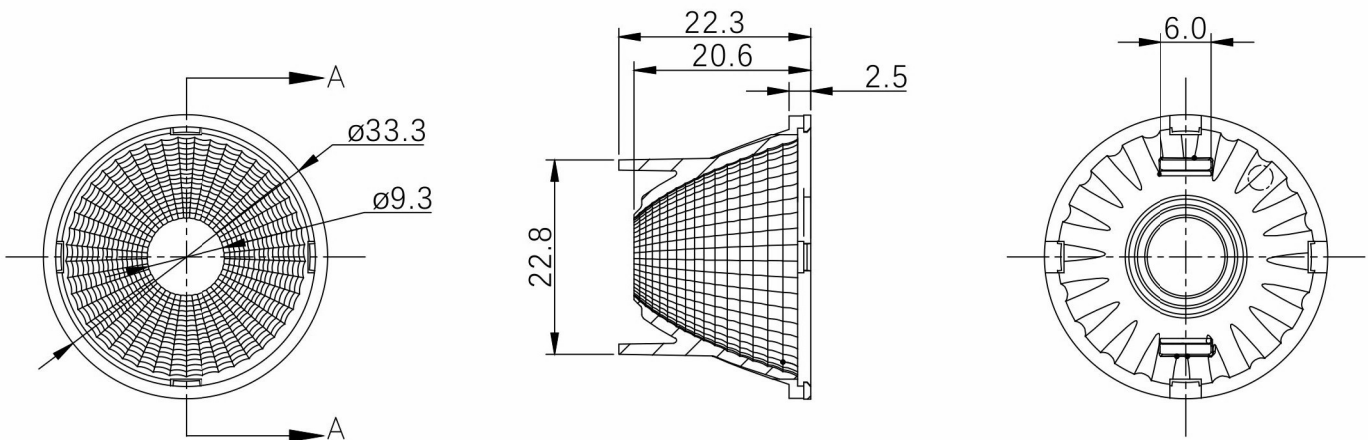
Basic parameters / Drawing	1~3P
Source	4P
Holders	5P
Luminousintensity distribution curve	6P
Packing information	7P



## BASIC PARAMETERS

Model	CR033-C1C
Beam angle	18° / 40° / 60°
Cover	Transparent / Atomization
Operating temperature	$T_c \leq 85^\circ\text{C}$
Plating / Color	Vacuum plating / Silver
RoHS	Yes
Material	PC
Lens	No

## DRAWING



$\times \times \pm$	$\times . \times \pm$	$\times . \times \times \pm$	$\times . \times ^\circ \pm$
0.35	0.25	0.20	0.5°

Unit:mm

## SOURCE

### ■ LES 4~9mm

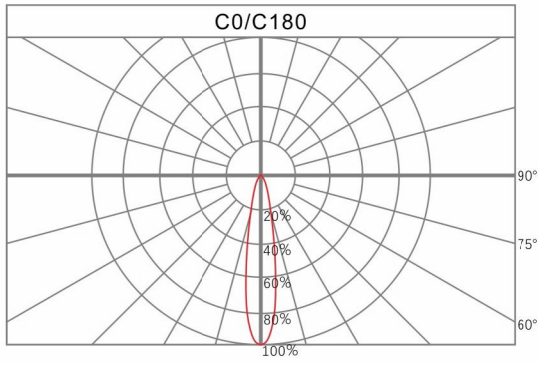
Bridgelux	E6 / E8 / E6 CA / V6 gen8·gen9 / V8 gen7·gen8·gen9 / V4 HD·gen7·gen8 / V6 HD·gen7·gen8
Citizen	CLU7B2 / CLU7A2 / CLU7A3 / CLU703 / CLU702 / CLU701
CREE	CXB1304 / CXB1310 / CMA1303 / CMA1306 / CMB1304 / CMB1306 / CHA0410 / CHA0612
Lumileds	L02x06
Luminus	CXM-3 gen4 / CXM-4 gen4 / CXM-4 gen6 / CHM-4-BH40 / CXM-4-TE50 LUX CXM-6-AC30 gen3 / CXM-6 gen4 / CXM-6 gen6 / CHM-6-BH40 / CXM-6 LUX
Nichia	NVNWS007Z
Tridonic	SLE 04mm / SLE 06mm
Samsung	LC010C
Seoul	SAWS0661A

## HOLDERS

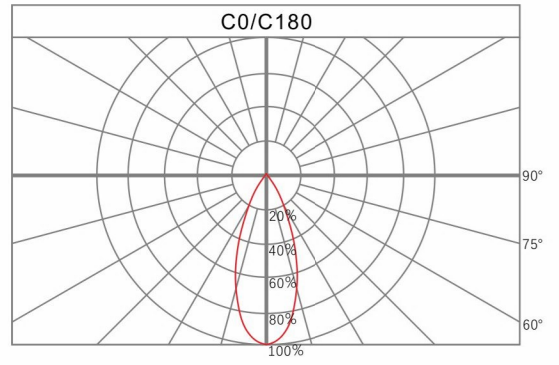
Type	COB size(mm)	COB LES(mm)	Size(mm)	Material	Screw size
BRHV068-PA	12.5×12.5	3~9	20×20×3.8	PC	M2.5
BRHV068-PD	12.5×12.5	3~9	25.6×23.2×3.7	PC	M2.5
BRHV068-F	12.5×12.5	3~9	∅28×2	PA9T	M2.5
H101313A-01	12.5×12.5	3~9	∅25×3.5	PC	M2.5
BCH1020-A	13.5×13.5	3~11.5	∅28×2	PA9T	M2.5
H121414E-01	13.5×13.5	3~12	∅27×4.0	PC	M2.5
CRH1304-P	13.35×13.35	3~9	20.2×20.2×5.0	PC	M2.5
H081313E-01	13.35×13.35	3~8	∅25×3.6	PC	M2.5
H101512E-01	15×12	3~9	∅25×3.2	PC	M2.5
H111512C-02	15×12	3~11	∅28×2	PA9T	M2.5
H111512D-01	15×12	3~11	∅25×3.2	PC	M2.5
BRHV010-C	15.8×15.8	3~12	∅28×2	PA9T	M2.5
BRHV010-P	15.8×15.8	3~12	∅28×3.5	PC	M2.5

# LUMINOUS INTENSITY DISTRIBUTION CURVE

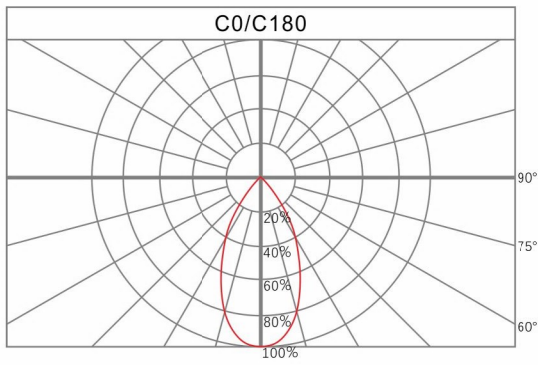
## Relative intensity of CR03318-C1C



## Relative intensity of CR03340-C1C



## Relative intensity of CR03360-C1C



## PACKING INFORMATION

Packing quantity

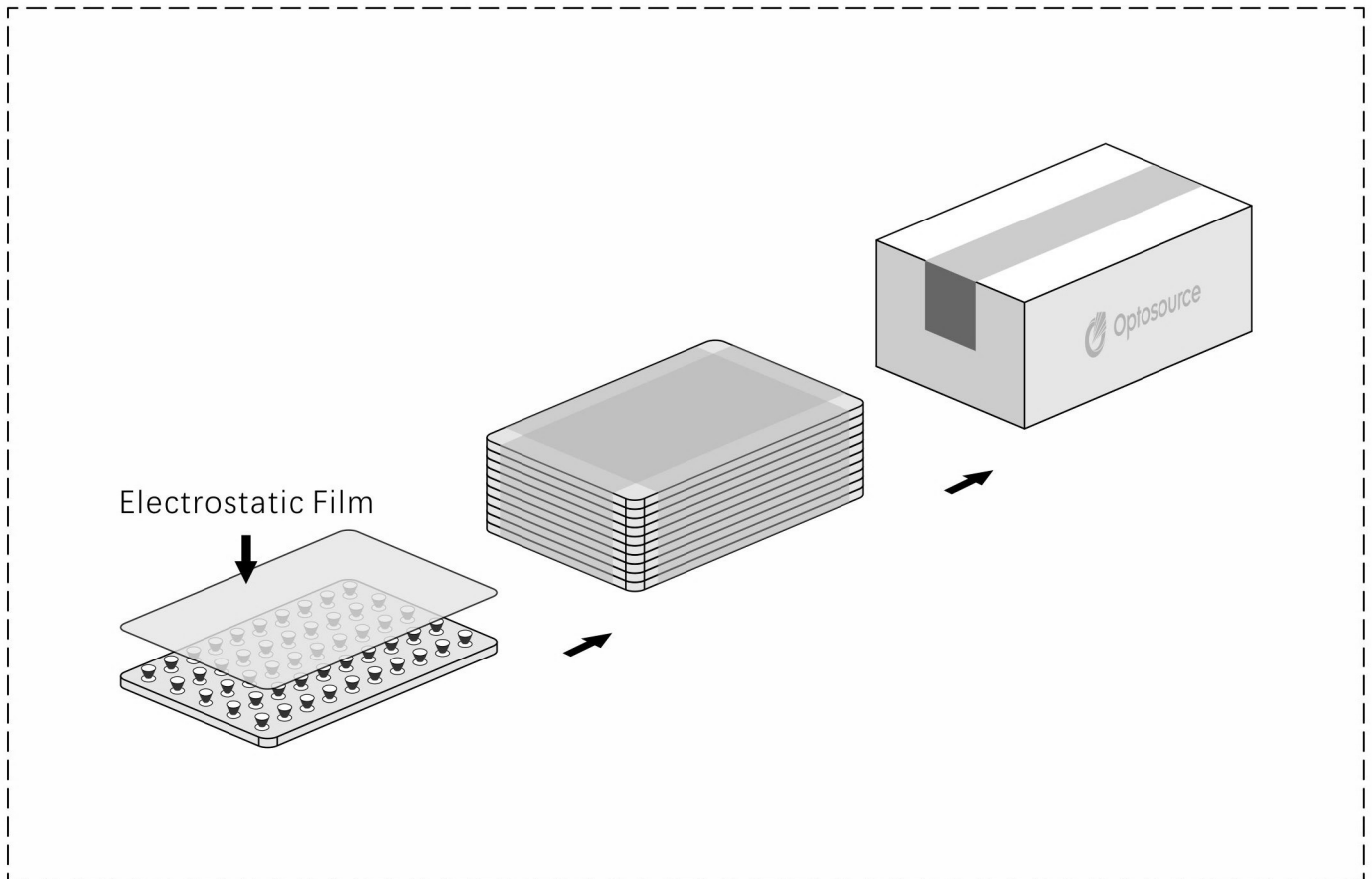
500 pcs / 10 Layers / Carton

Gross weight

3.1 kg

Carton measurement

515 \* 290 \* 270 mm



50 pcs / Plastic tray

10 Layers

500 pcs / Carton

Note:

- \* Above measurement and weight are measured manually. If there have any difference, please refer to the actual product.
- \* Storage temperature: 10°C~40°C Humidity: 45%~75%.



www.opto-source.com



+86 20 8266 0966



+86 18820021222



amyzou@hkoptosource.com



www.opto-source.com



广州市增城经济技术开发区香山大道42号雄兴孵化园4栋

Building 4, Xiongxing Incubation Park, No.42 Xiangshan Avenue,  
Zengcheng Economic and Technological Development Zone, Guangzhou, China