



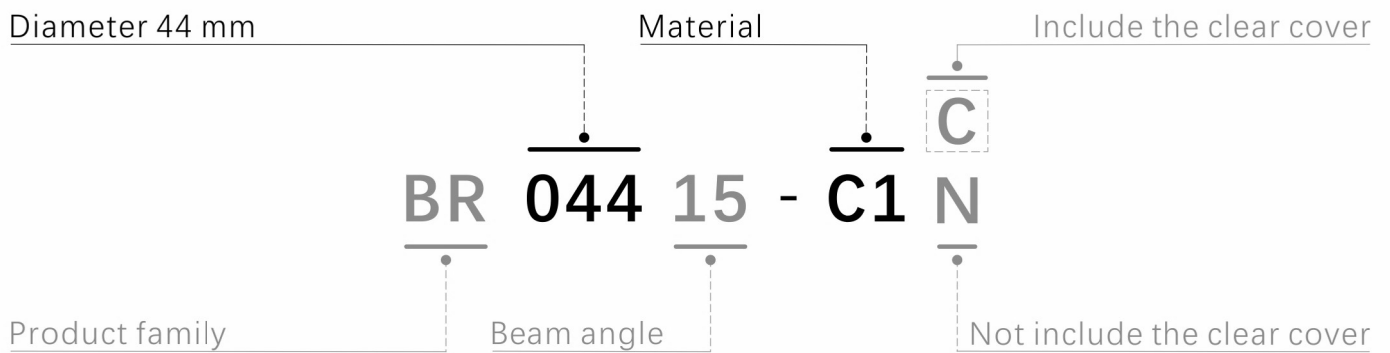
BR044-C1C

Date:20231109 **Ver1.0**



BASIC PARAMETERS

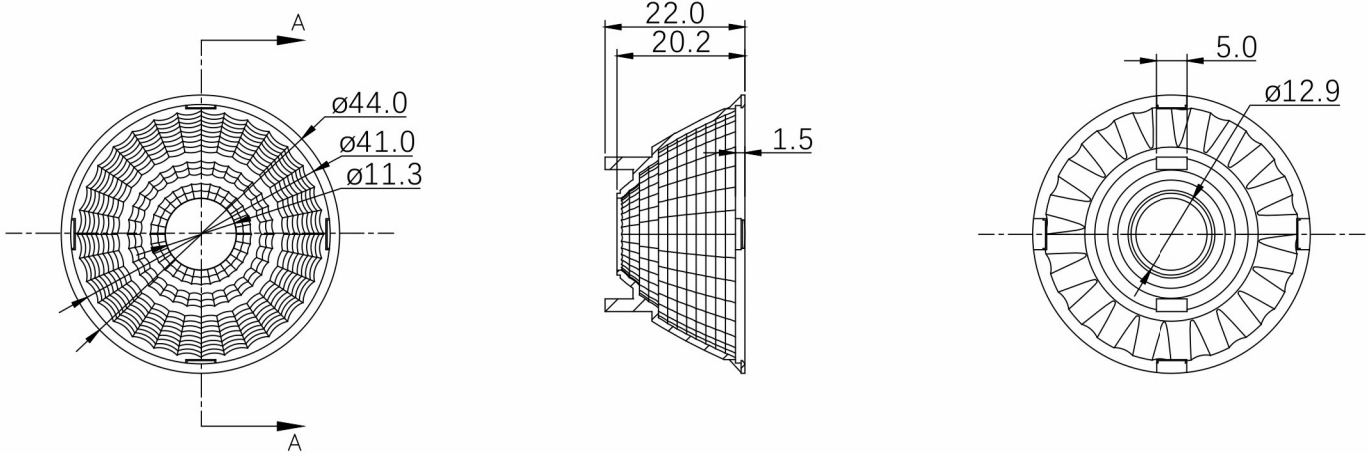
Basic parameters / Drawing	1~3P
Source	4P
Holders	5P
Luminousintensity distribution curve	6P
Packing information	7P



BASIC PARAMETERS

Model	BR044-C1C
Beam angle	15° / 28° / 40° / 60°
Cover	Transparent / Atomization
Operating temperature	$T_c \leq 85^\circ\text{C}$
Plating / Color	Vacuum plating / Silver
RoHS	Yes
Material	PC
Lens	No

DRAWING



$\times \times \pm$	$\times . \times \pm$	$\times . \times \times \pm$	$\times . \times ^\circ \pm$
0.35	0.25	0.20	0.5°

Unit:mm

SOURCE

■ LES 7~12mm

Bridgelux

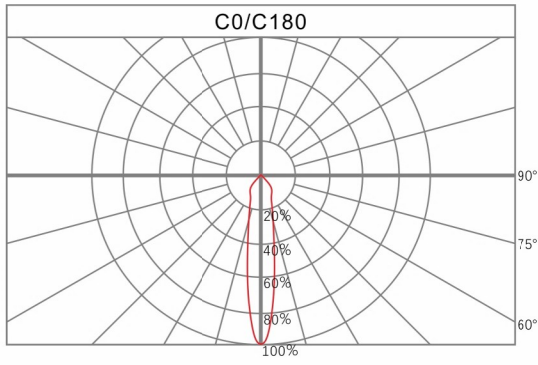
V8 gen7 / V10 gen7 / E8 CA / E6 / E10 / V6 HD gen7·gen8 / V10 gen7·gen8·gen9 / Vero10

HOLDERS

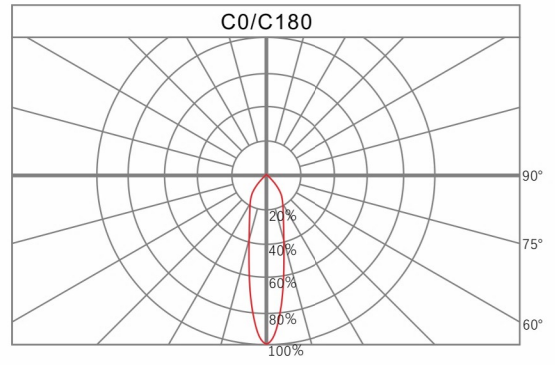
Type	COB size(mm)	COB LES(mm)	Size(mm)	Material	Screw size
BRHV068-F	12.5×12.5	3~9	ø28×2	PA9T	M2.5
BCH1020-A	13.5×13.5	3~11.5	ø28×2	PA9T	M2.5
CIHL020-A	13.5×13.5	3~11.5	ø28×2	PA9T	M2.5
H121414E-01	13.5×13.5	3~12	ø27×4.0	PC	M2.5
H111512C-02	15×12	3~11	ø28×2	PA9T	M2.5
BRHV010-C	15.8×15.8	3~12	ø28×2	PA9T	M2.5
BRHV010-P	15.8×15.8	3~12	ø28×3.5	PC	M2.5
H111616A-01	15.85×15.85	3~11	ø27.5×4.0	PC	M2.5
NIHN036-P	19×16	3~11	ø30.2×3.0	PC	M2.5
NIHN066-P	19×16	3~11	ø30.2×3.0	PC	M2.5
PIH1203-P	19×16	3~11	ø30.2×3.2	PC	M2.5

LUMINOUS INTENSITY DISTRIBUTION CURVE

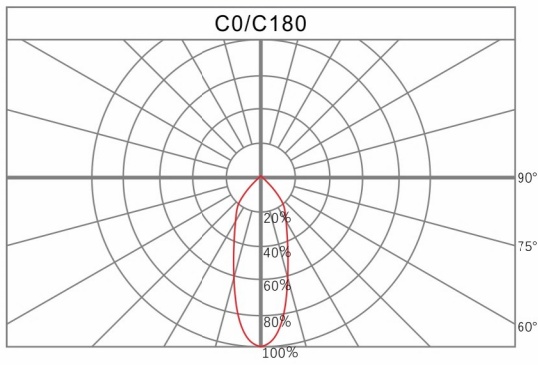
Relative intensity of BR04415-C1C



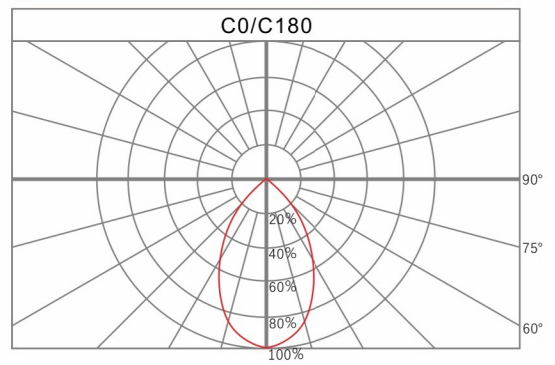
Relative intensity of BR04428-C1C



Relative intensity of BR04440-C1C



Relative intensity of BR04460-C1C



PACKING INFORMATION

Packing quantity

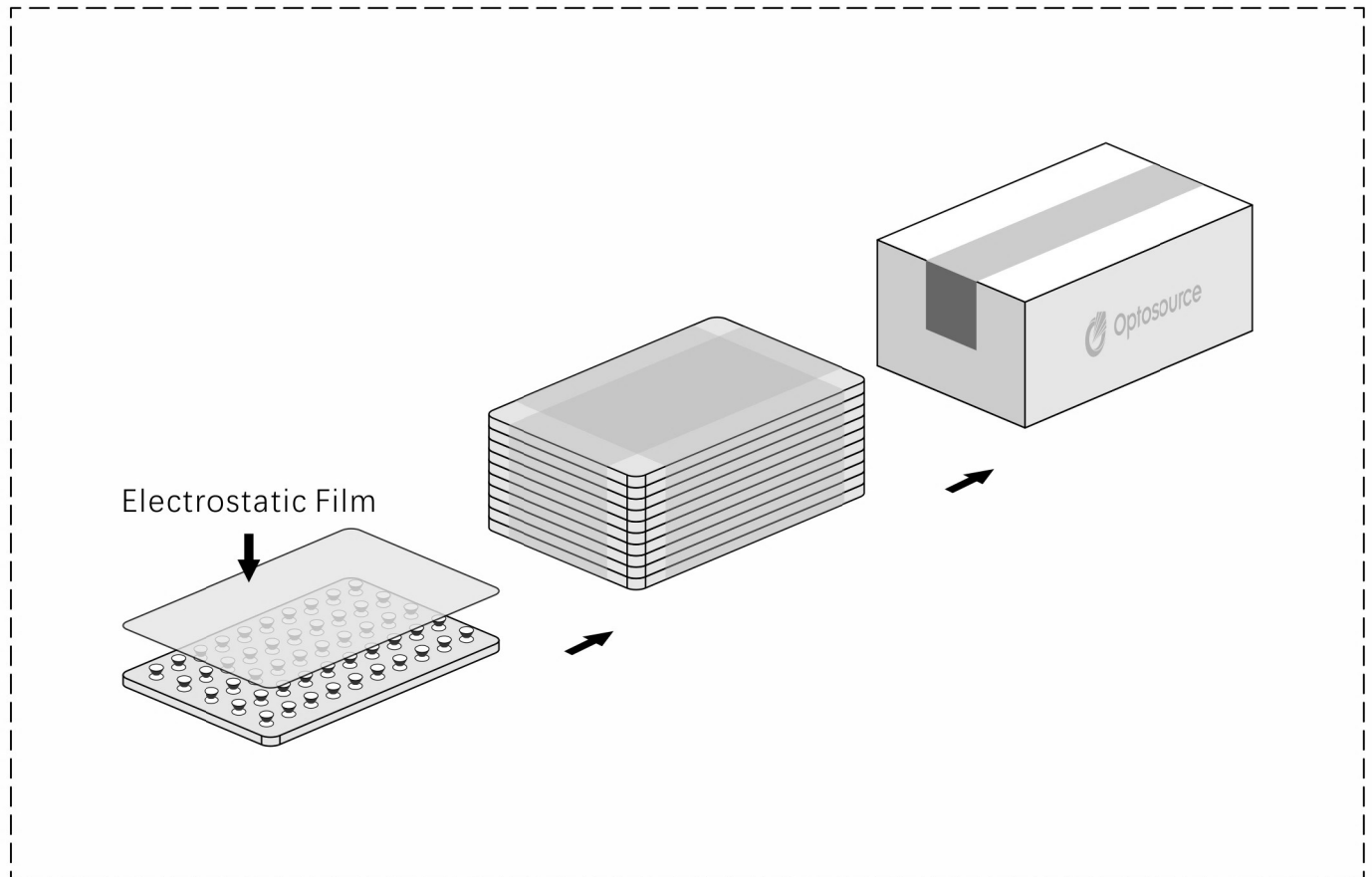
500 pcs / 10 Layers / Carton

Gross weight

4 kg

Carton measurement

515 * 290 * 270 mm



50 pcs / Plastic tray

10 Layers

500 pcs / Carton

Note:

- * Above measurement and weight are measured manually. If there have any difference, please refer to the actual product.
- * Storage temperature: 10°C~40°C Humidity: 45%~75%.



www.opto-source.com



+86 20 8266 0966



+86 18820021222



amyzou@hkoptosource.com



www.opto-source.com



广州市增城经济技术开发区香山大道42号雄兴孵化园4栋

Building 4, Xiongxing Incubation Park, No.42 Xiangshan Avenue,
Zengcheng Economic and Technological Development Zone, Guangzhou, China