



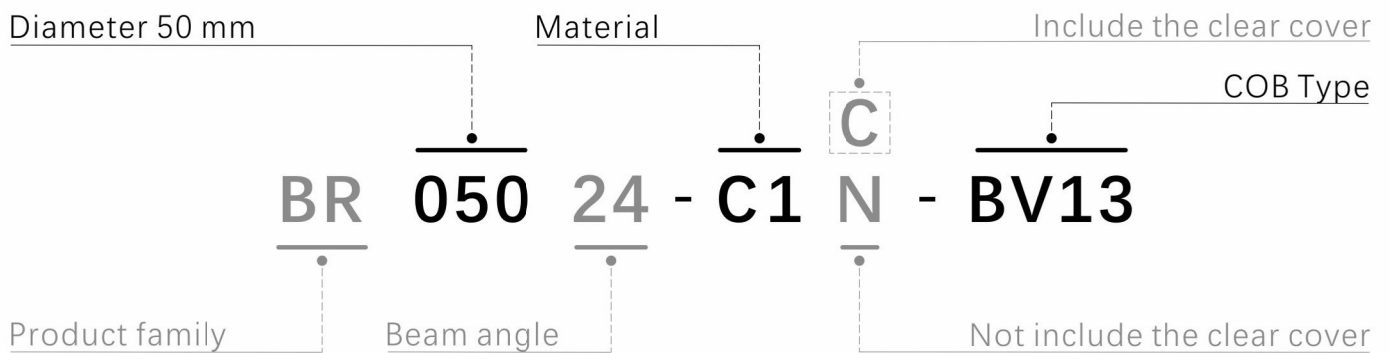
BR050-C1C-BV13

Date:20231109 **Ver1.0**



BASIC PARAMETERS

Basic parameters / Drawing	1~3P
Source	4P
Holders	5P
Luminousintensity distribution curve	6P
Packing information	7P

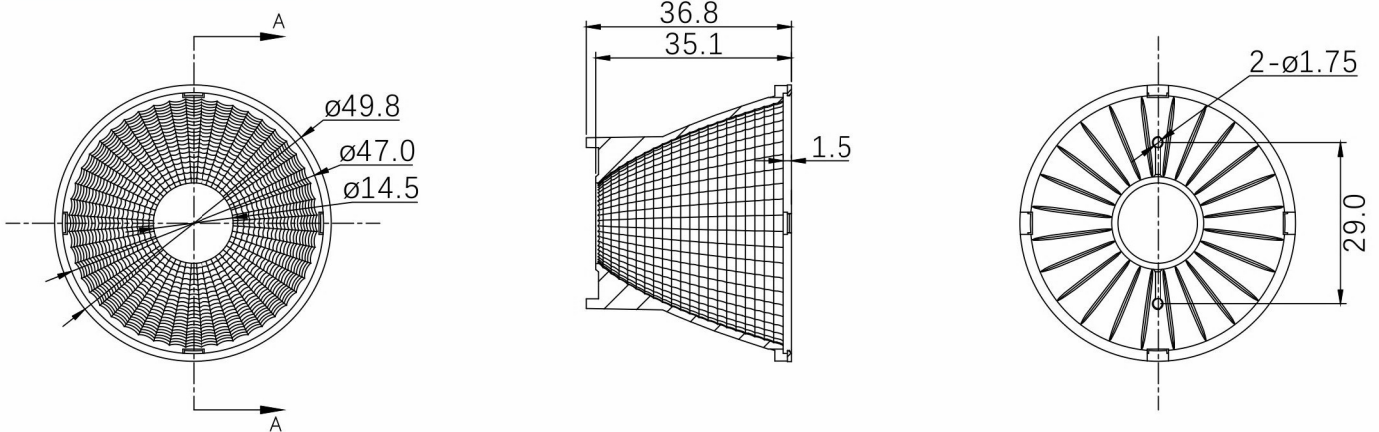


BASIC PARAMETERS

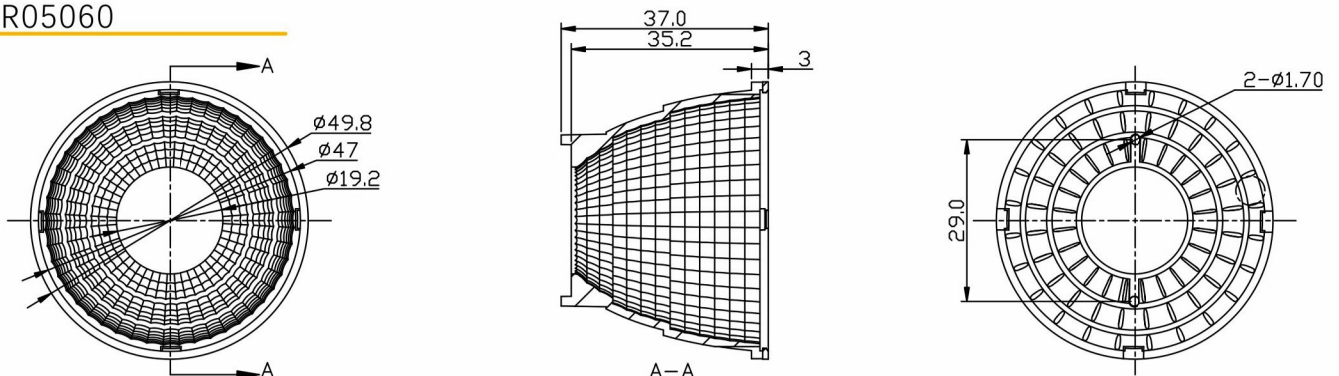
Model	BR050-C1C-BV13
Beam angle	24° / 40° / 60°
Cover	Transparent / Atomization
Operating temperature	Tc ≤ 85°C
Plating / Color	Vacuum plating / Silver
RoHS	Yes
Material	PC
Lens	No

DRAWING

BR05024 / BR05040



BR05060



$\times \times \pm$	$\times . \times \pm$	$\times . \times \times \pm$	$\times . \times ^\circ \pm$
0.35	0.25	0.20	0.5°

Unit:mm

SOURCE

■ LES 10~14mm

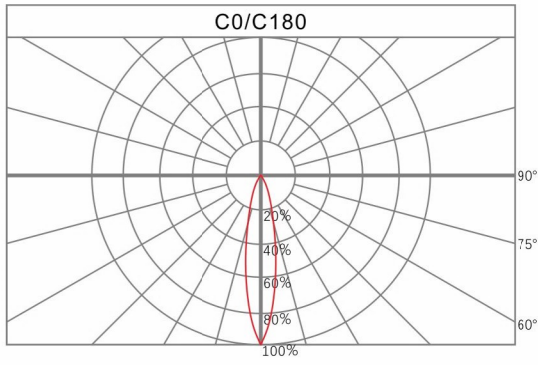
Bridgelux	E8 CA / V13 gen7 / V9 HD gen7·gen8 / V11 HD gen8 / Vero13
Citizen	CLU723 / CLU721
CREE	CXB1816 / CXB1820 / CHA0825 / CMA1516 / CMA1825 / CMB1510 / CMB1516 / CMB1818 CMB1825
Lumens	ERC1507HO / ERC1512HO / ERC1812HO / ERC1820HO
Lumileds	1202 / 1203 / S04H9 / M02F09 / M03F09 / L04F12 / L05F12
Luminus	CHM-9-BH40 / CXM-11 gen3 / CXM-11 gen4 / CXM-11 LUX
Nichia	NFCWL036B / NVEWL016Z / NFCWL060B / NVCWL024Z
Tridonic	SLE 13mm
Samsung	LC030C

HOLDERS

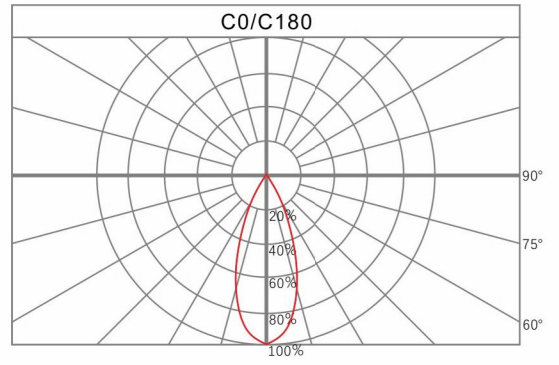
Type	COB size(mm)	COB LES(mm)	Size(mm)	Material	Screw size
BRHV013-A	15.85×15.85	10~14	ø40×2	PA9T	M3
BRHV013-C	15.85×15.85	10~15	ø36.2×2.0	PC	M3
CRH1816-P	17.85×17.85	10~15	ø36.2×4.1	PC	M2.5
SAHL013-P	17×17	10~13	ø37.6×3.7	PC	M3
BCH1330-A	19×19	10~17	ø40×2	PA9T	M3
CIHL030-A	19×19	10~17	ø36.2×2	PA9T	M3
CIHL030-P	19×19	10~17	29.4×29.4×3.2	PC	M3
H161919B-01	19×19	10~16	ø35×3.5	PC	M3
NIHN121-P	19×16	10~15	ø37.6×3.7	PC	M2.5
PIH1204-P	24×19	10~15	ø37.6×4.1	PC	M2.5

LUMINOUS INTENSITY DISTRIBUTION CURVE

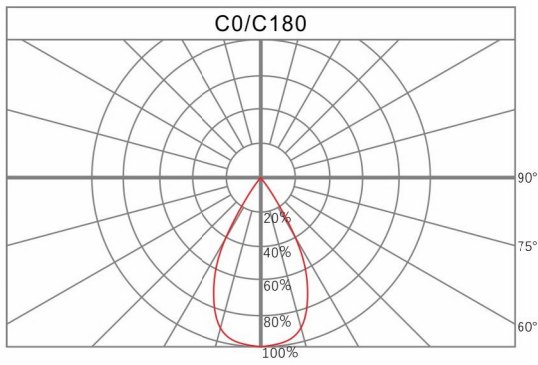
Relative intensity of BR05024-C1C-BV13



Relative intensity of BR05040-C1C-BV13



Relative intensity of BR05060-C1C-BV13



PACKING INFORMATION

Packing quantity

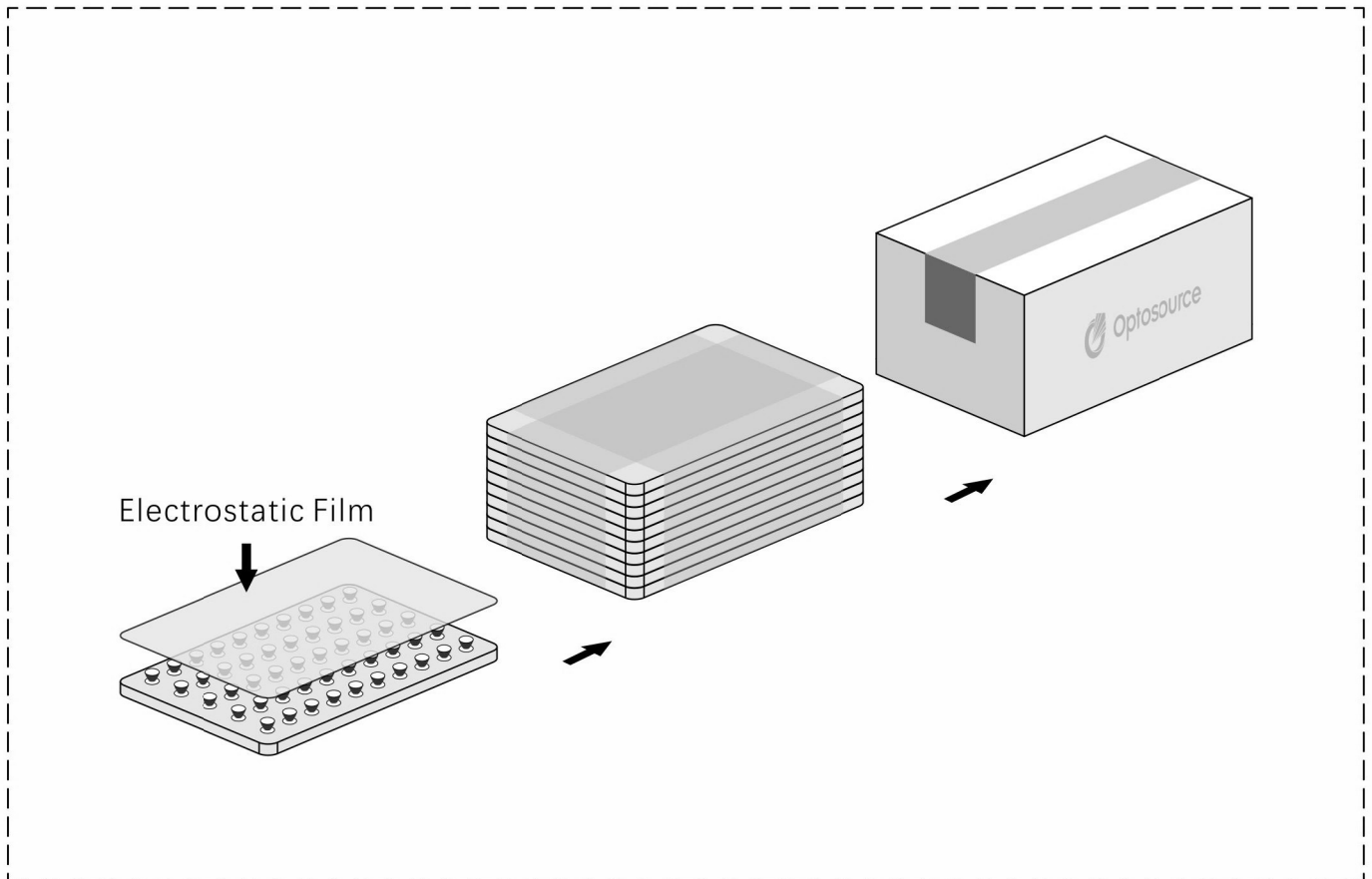
500 pcs / 10 Layers / Carton

Gross weight

6.8 kg

Carton measurement

560 * 345 * 440 mm



50 pcs / Plastic tray

10 Layers

500 pcs / Carton

Note:

- * Above measurement and weight are measured manually. If there have any difference, please refer to the actual product.
- * Storage temperature: 10°C~40°C Humidity: 45%~75%.



www.opto-source.com



+86 20 8266 0966



+86 18820021222



amyzou@hkoptosource.com



www.opto-source.com



广州市增城经济技术开发区香山大道42号雄兴孵化园4栋

Building 4, Xiongxing Incubation Park, No.42 Xiangshan Avenue,
Zengcheng Economic and Technological Development Zone, Guangzhou, China