



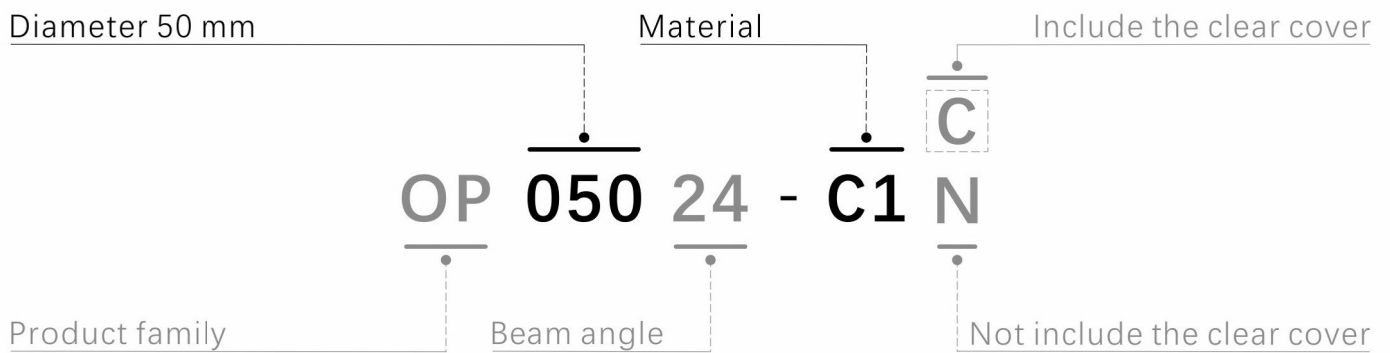
OP050-C1C

Date:20231109 **Ver1.0**



BASIC PARAMETERS

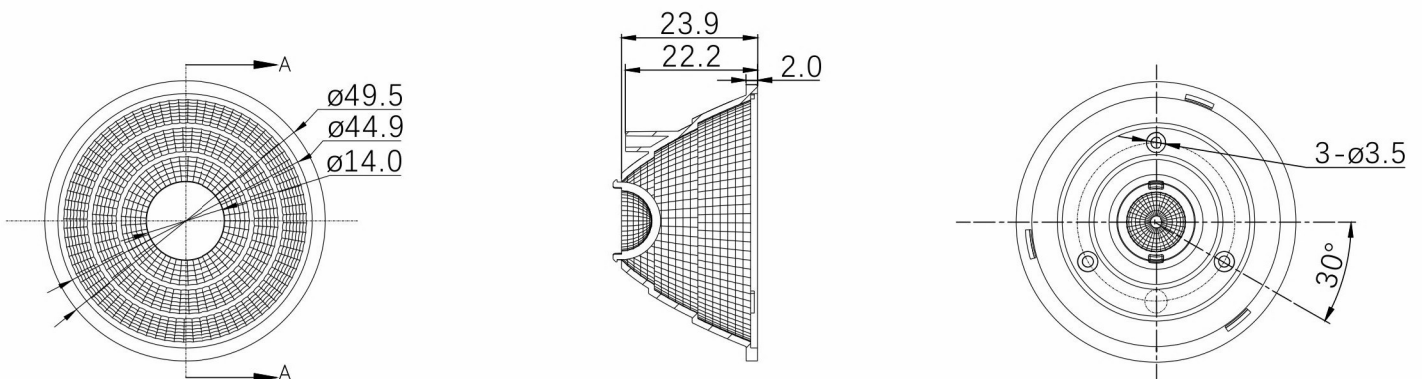
Basic parameters / Drawing	1~3P
Source	4P
Holders	5P
Luminousintensity distribution curve	6P
Packing information	7P



BASIC PARAMETERS

Model	OP050-C1C
Beam angle	24° / 40° / 60°
Cover	Transparent / Atomization
Operating temperature	$T_c \leq 85^\circ\text{C}$
Plating / Color	Vacuum plating / Silver
RoHS	Yes
Material	PC
Lens	Yes

DRAWING



$\times \times \pm$	$\times . \times \pm$	$\times . \times \times \pm$	$\times . \times ^\circ \pm$
0.35	0.25	0.20	0.5°

Unit:mm

SOURCE

■ LES 4~12mm

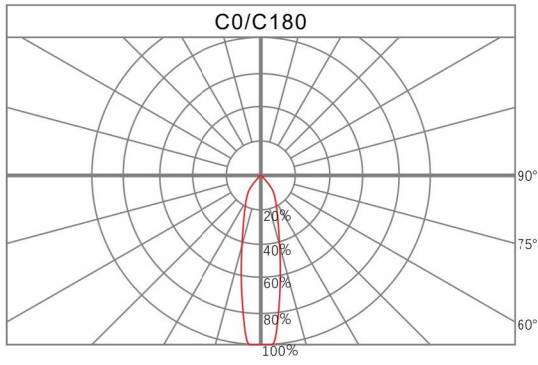
Bridgelux	E6 CA / E8 CA / E6 / E8 / E10 / V6 gen8 gen9 / V8 gen8 gen9 / V10 gen7 · gen8 · gen9 V3 HD gen8 / V4 HD gen7 gen8 / V6 HD gen7 · gen8
Citizen	CLU028 / CLU02J / CLU02Q / CLU703 / CLU702 / CLU701
CREE	CHA0612 / CHA0304 / CHA0410 / CMA1303 / CMA1516 / CMB1507 / CMB1516 / CMT1407 CMT1420 / CMU1003 / CMU1010 / CXB1507/CXB1520
Lumens	ERC1507HO / ERC1512HO / 1309H2 / 1318H2
Lumileds	1202s / L02x09 / L04x09
Luminus	CXM-3 gen4 / CXM-4 gen6 / CHM-4-BH40 / CXM-4-TE50 LUX / CXM-6-AC30 gen3 CXM-6 gen6 / CHM-6-BH40 / CHM-9 gen3 / CIM-9 gen4 / CLM-9-AC40 gen4 CXM-9-AC40 gen4 / CLM-9 gen6 / CXM-9-TC60 gen6
Osram	S5 / S9
Tridonic	SLE 06mm / SLE 09mm
Samsung	LC003D / LC006D / LC009D / LC013D
Seoul	SAWS1063A

HOLDERS

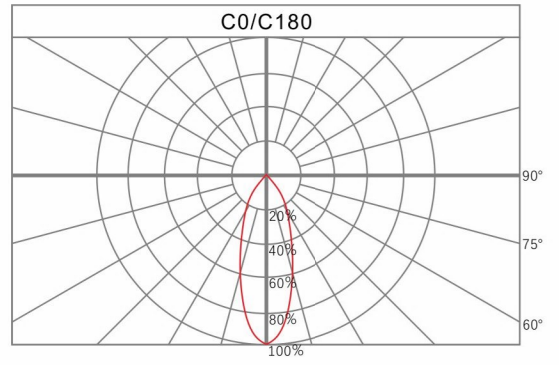
Type	COB size(mm)	COB LES(mm)	Size(mm)	Material	Screw size
BCH6813-P	12.5×12.5 13.35×13.35	4~9	ø30.5×6.7	PC	M2.5
BCH1015-P	13.5×13.5 15.85×15.85	8~11	ø30.5×6.7	PC	M2.5
H121414I-01	13.5×13.5	8~11.5	ø30.5×6.7	PC	M2.5

LUMINOUS INTENSITY DISTRIBUTION CURVE

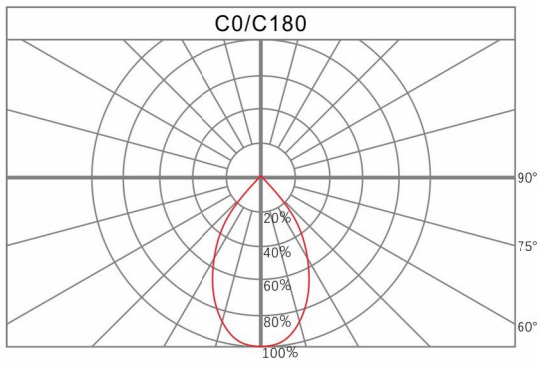
Relative intensity of OP05024-C1C



Relative intensity of OP05040-C1C



Relative intensity of OP05060-C1C



PACKING INFORMATION

Packing quantity

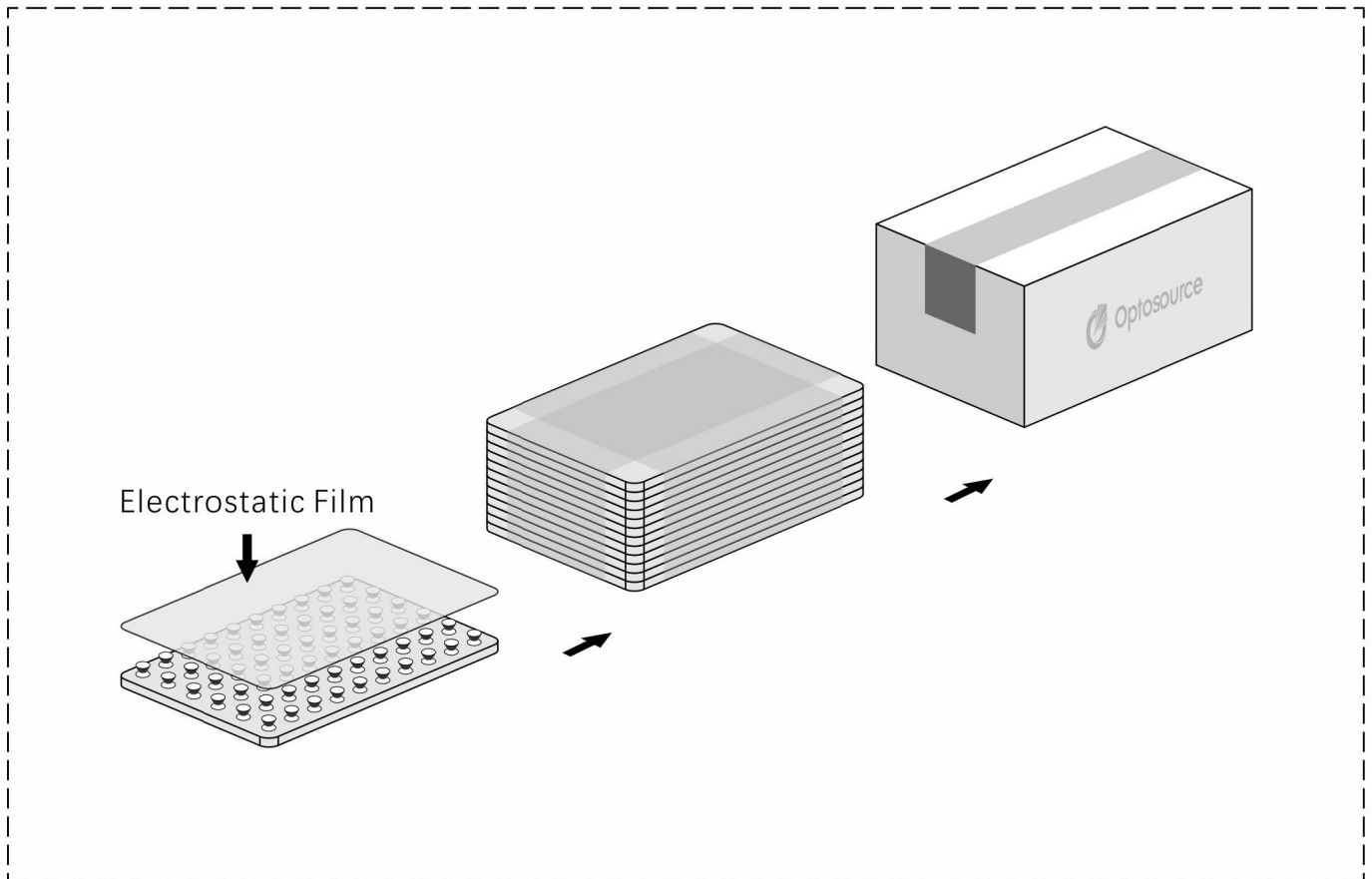
720 pcs / 10 Layers / Carton

Gross weight

7.7 kg

Carton measurement

560 * 345 * 440 mm



60 pcs / Plastic tray

12 Layers

720 pcs / Carton

Note:

- * Above measurement and weight are measured manually. If there have any difference, please refer to the actual product.
- * Storage temperature: 10°C~40°C Humidity: 45%~75%.



www.opto-source.com



+86 20 8266 0966



+86 18820021222



amyzou@hkoptosource.com



www.opto-source.com



广州市增城经济技术开发区香山大道42号雄兴孵化园4栋

Building 4, Xiongxing Incubation Park, No.42 Xiangshan Avenue,
Zengcheng Economic and Technological Development Zone, Guangzhou, China