



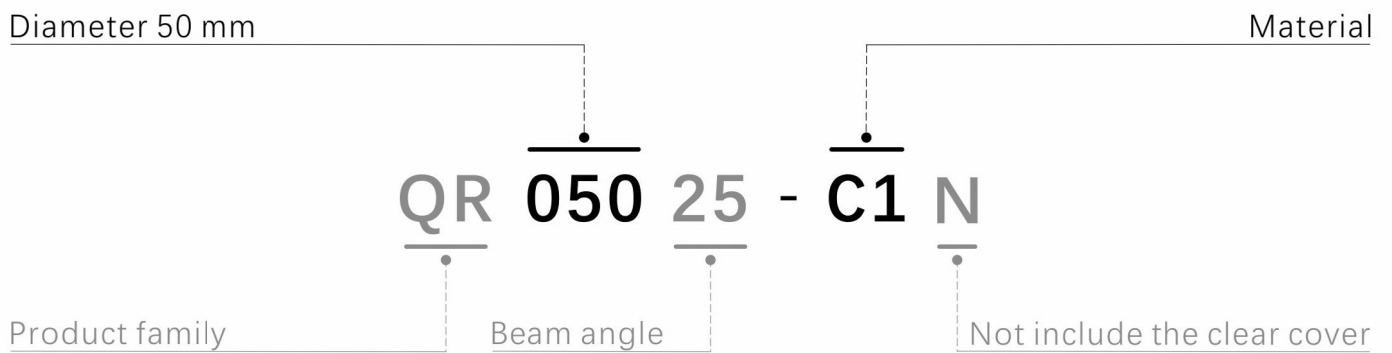
QR050-C1N

Date:20231109 **Ver1.0**



BASIC PARAMETERS

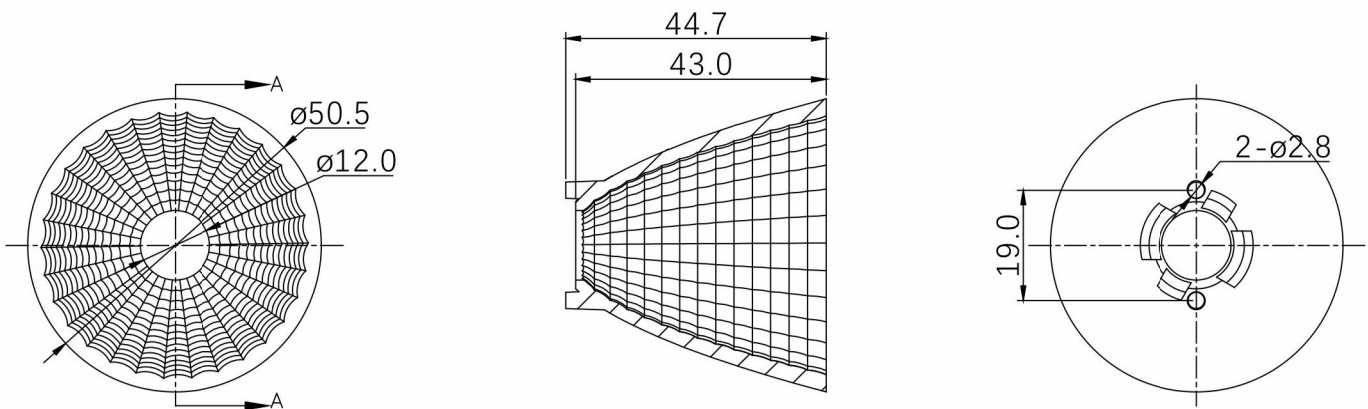
Basic parameters / Drawing	1~3P
Source	4P
Holders	5P
Luminousintensity distribution curve	6P
Packing information	7P



BASIC PARAMETERS

Model	QR050-C1N
Beam angle	20° / 38°
Cover	No
Operating temperature	$T_c \leq 85^\circ\text{C}$
Plating / Color	Vacuum plating / Silver
RoHS	Yes
Material	PC
Lens	No

DRAWING



$\times \times \pm$	$\times . \times \pm$	$\times . \times \times \pm$	$\times . \times ^\circ \pm$
0.35	0.25	0.20	0.5°

Unit:mm

SOURCE

■ LES 8~12mm

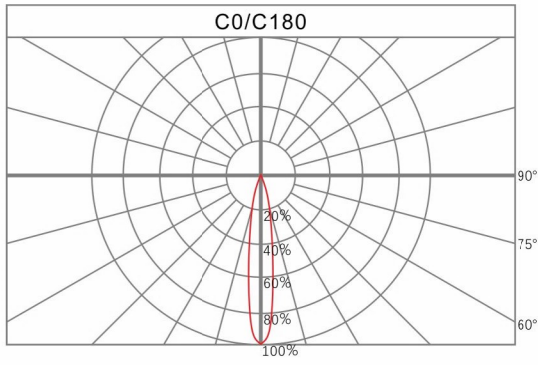
Bridgelux	V10 / E8 CA / E10 / V10 gen7·gen8·gen9
Citizen	CLU028 / CLU02J / CLU02Q / CLU703 / CLU702 / CLU701
CREE	CHA0612 / CMA1516 / CMB1507 / CMB1510 / CMB1516 / CMT1407 / CMT1412 / CMT1420 CMU1003 / CMU1006 / CMU1010 / CMU1013 / CXB1507 / CXB1512 / CXB1507 / CXB1520
Lumens	ERC1507HO / ERC1512HO / 1309H2 / 1318H2
Lumileds	1202s / L02x09 / L04x09 / S04H9 / M02F09 / M03F09
Luminus	CXM-6-AC30 gen3 / CXM-6 gen6 / CHM-6-BH40 / CXM-6 LUX / CHM-9 gen3 CIM-9 gen4 / CLM-9-AC40 gen4 / CXM-9-AC40 gen4 / CLM-9 gen6 / CXM-9-TC60 gen6
Osram	S9
Nichia	NFCWS024B / NJCWS024Z / NFCWL036B / NVEWL016Z
Tridonic	SLE 06mm / SLE 09mm
Samsung	LC003D / LC006D / LC009D / LC013D
Seoul	SAWS1063A

HOLDERS

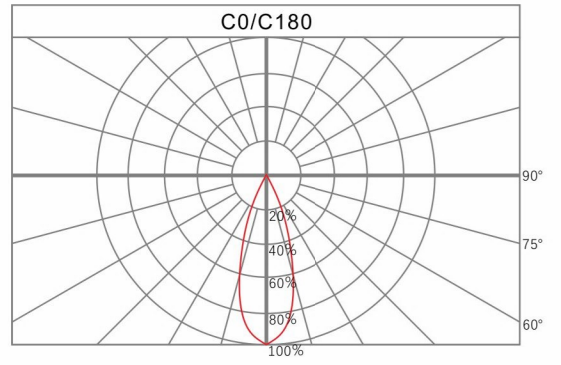
Type	COB size(mm)	COB LES(mm)	Size(mm)	Material	Screw size
BRHV068-F	12.5×12.5	3~9	ø28×2	PA9T	M2.5
BCH1020-A	13.5×13.5	3~11.5	ø28×2	PA9T	M2.5
CIHL020-A	13.5×13.5	3~11.5	ø28×2	PA9T	M2.5
CIHL020-P	13.5×13.5	3~11.5	ø25.3×2.0	PC	M2.5
H121313E-01	13.5×13.5	3~11	ø35×4.3	PC	M2.5
H121414E-01	13.5×13.5	3~12	ø27×4.0	PC	M2.5
H111512C-02	15×12	3~11	ø28×2	PA9T	M2.5
H111512D-01	15×12	3~11	ø25×3.2	PC	M2.5
SHHMINI-P	15×12	3~10	ø25.6×2.0	PC	M2.5
BRHV010-C	15.8×15.8	3~12	ø28×2	PA9T	M2.5
BRHV010-P	15.8×15.8	3~12	ø28×3.5	PC	M2.5
CRH1507-P	15.85×15.85	3~11	ø26.9×2.0	PC	M2.5
H111616A-01	15.85×15.85	3~11	ø27.5×4.0	PC	M2.5
H111616B-01	15.85×15.85	3~11	ø27.5×4.0	PC	M2.5
H111616C-01	15.85×15.85	3~11	ø25×4.0	PC	M2.5
H121616B-01	15.85×15.85	3~12	ø27×3.5	PC	M2.5
NIHN036-P	19×16	3~11	ø30.2×3.0	PC	M2.5
NIHN066-P	19×16	3~11	ø30.2×3.0	PC	M2.5
PIH1203-P	19×16	3~11	ø30.2×3.2	PC	M2.5

LUMINOUS INTENSITY DISTRIBUTION CURVE

Relative intensity of QR05020-C1N



Relative intensity of QR05038-C1N



PACKING INFORMATION

Packing quantity

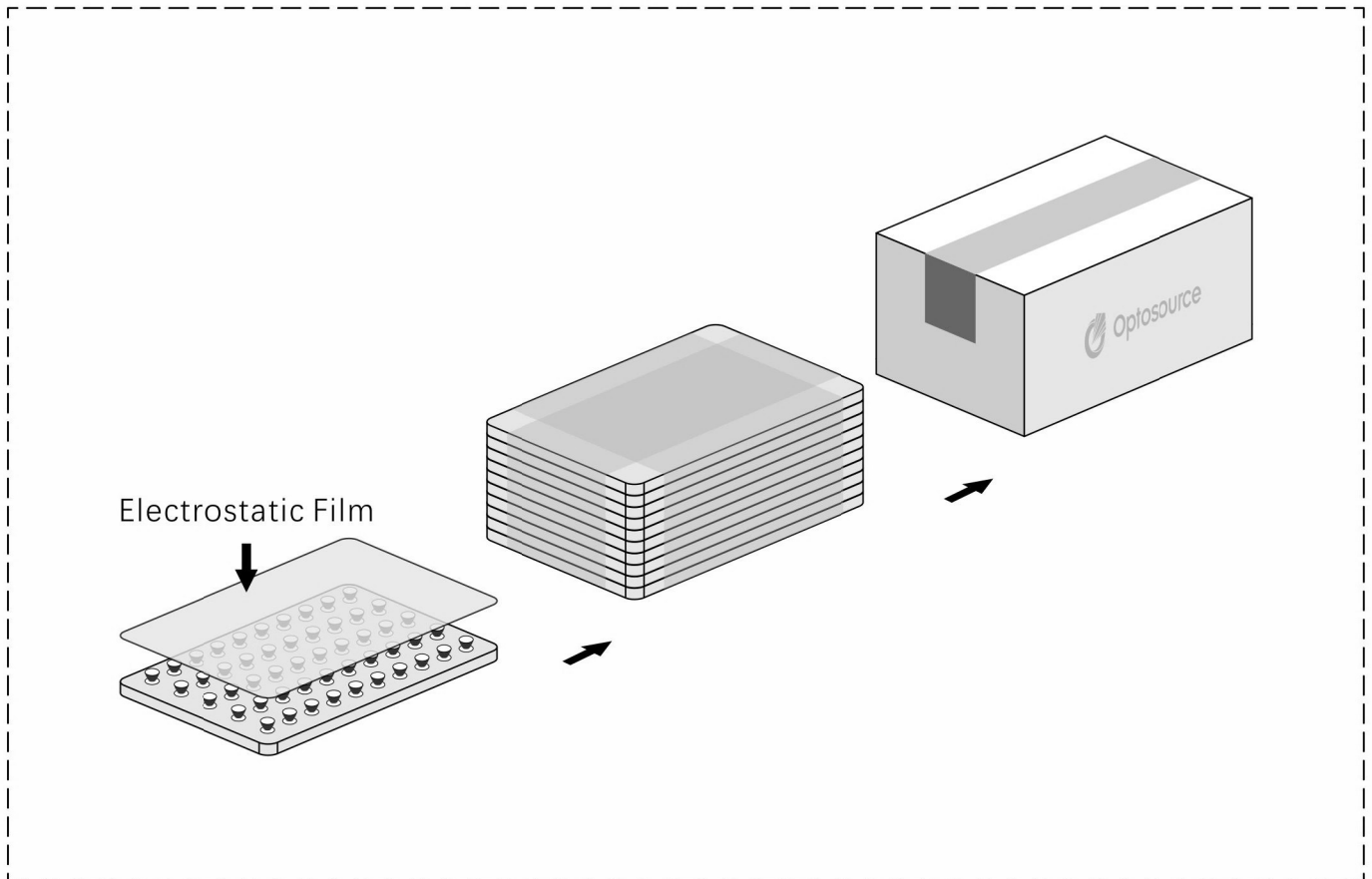
500 pcs / 10 Layers / Carton

Gross weight

8.5 kg

Carton measurement

560 * 345 * 440 mm



50 pcs / Plastic tray

10 Layers

500 pcs / Carton

Note:

- * Above measurement and weight are measured manually. If there have any difference, please refer to the actual product.
- * Storage temperature: 10°C~40°C Humidity: 45%~75%.



www.opto-source.com



+86 20 8266 0966



+86 18820021222



amyzou@hkoptosource.com



www.opto-source.com



广州市增城经济技术开发区香山大道42号雄兴孵化园4栋

Building 4, Xiongxing Incubation Park, No.42 Xiangshan Avenue,
Zengcheng Economic and Technological Development Zone, Guangzhou, China