



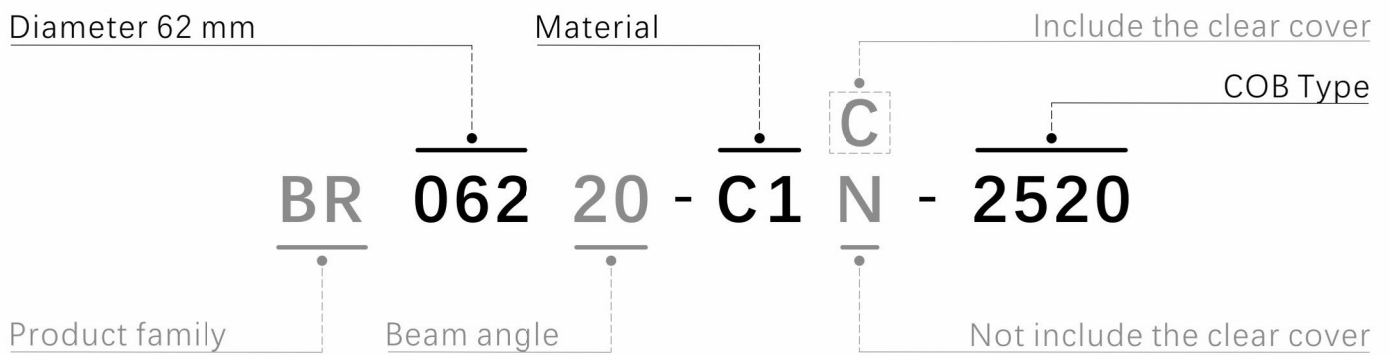
BR062-C1C-BV13

Date:20231109 **Ver1.0**



BASIC PARAMETERS

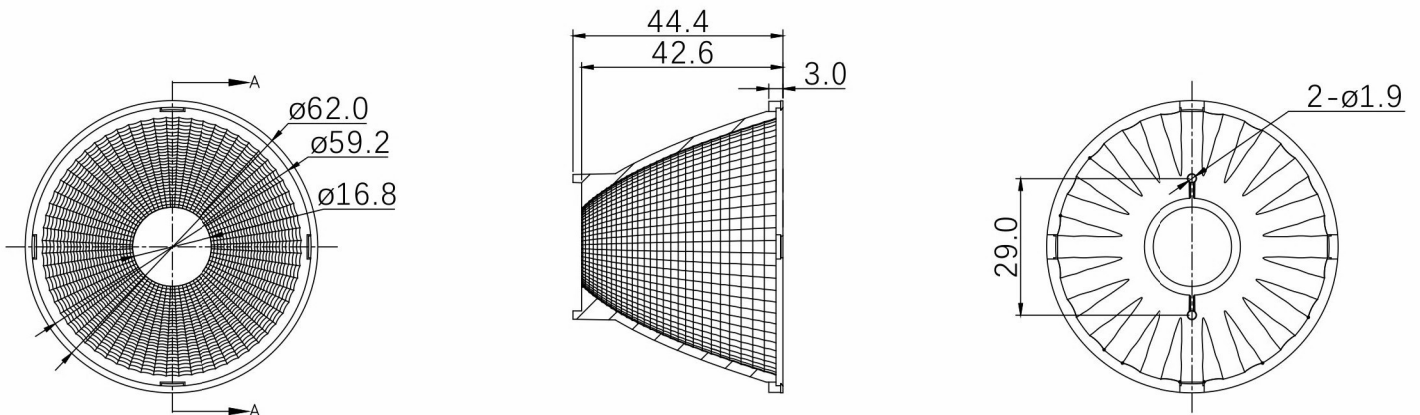
| | |
|--------------------------------------|------|
| Basic parameters / Drawing | 1~3P |
| Source | 4P |
| Holders | 5P |
| Luminousintensity distribution curve | 6P |
| Packing information | 7P |



BASIC PARAMETERS

| | |
|-----------------------|-----------------------------|
| Model | BR062-C1C-BV13 |
| Beam angle | 15° / 30° / 60° |
| Cover | Transparent / Atomization |
| Operating temperature | $T_c \leq 85^\circ\text{C}$ |
| Plating / Color | Vacuum plating / Silver |
| RoHS | Yes |
| Material | PC |
| Lens | No |

DRAWING



| | | | |
|---------------------|-----------------------|------------------------------|------------------------------|
| $\times \times \pm$ | $\times . \times \pm$ | $\times . \times \times \pm$ | $\times . \times ^\circ \pm$ |
| 0.35 | 0.25 | 0.20 | 0.5° |

Unit:mm

SOURCE

■ LES 10~14mm

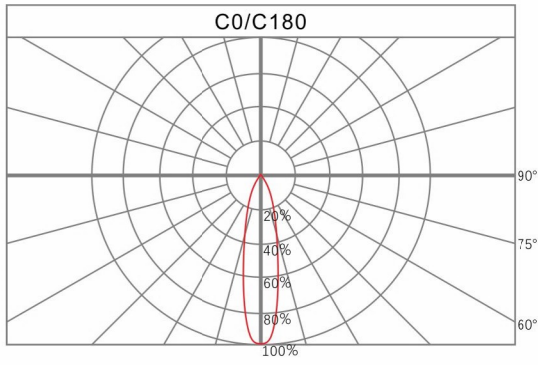
| | |
|-----------|--|
| Bridgelux | E8 CA / V13 gen7 / V9 HD gen7·gen8 / V11 HD gen8 / Vero13 |
| Citizen | CLU723 / CLU721 |
| CREE | CXB1816 / CXB1820 / CHA0825 / CMA1516 / CMA1825 / CMB1510 / CMB1516 / CMB1818 CMB1825 |
| Lumens | ERC1507HO / ERC1512HO / ERC1812HO / ERC1820HO |
| Lumileds | 1202 / 1203 / S04H9 / M02F09 / M03F09 / L04F12 / L05F12 |
| Luminus | CHM-9-BH40 / CXM-11 gen3 / CXM-11 gen4 / CXM-11 LUX |
| Nichia | NFCWL036B / NVEWL016Z / NFCWL060B / NVCWL024Z |
| Tridonic | SLE 13mm |
| Samsung | LC030C |

HOLDERS

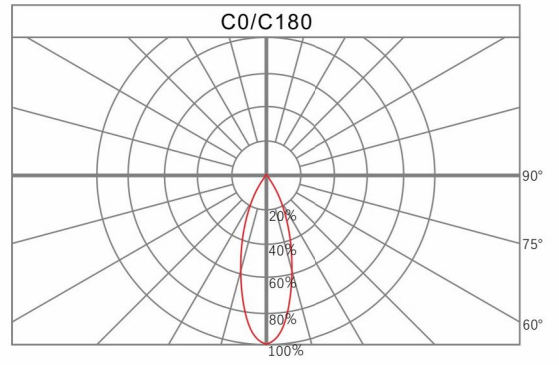
| Type | COB size(mm) | COB LES(mm) | Size(mm) | Material | Screw size |
|-------------|--------------|-------------|---------------|----------|------------|
| BRHV013-A | 15.85×15.85 | 10~14 | ø40×2 | PA9T | M3 |
| BRHV013-C | 15.85×15.85 | 10~15 | ø36.2×2.0 | PC | M3 |
| CRH1816-P | 17.85×17.85 | 10~15 | ø36.2×4.1 | PC | M2.5 |
| SAHL013-P | 17×17 | 10~13 | ø37.6×3.7 | PC | M3 |
| BCH1330-A | 19×19 | 10~17 | ø40×2 | PA9T | M3 |
| CIHL030-A | 19×19 | 10~17 | ø36.2×2 | PA9T | M3 |
| CIHL030-P | 19×19 | 10~17 | 29.4×29.4×3.2 | PC | M3 |
| H161919B-01 | 19×19 | 10~16 | ø35×3.5 | PC | M3 |
| NIHN121-P | 19×16 | 10~15 | ø37.6×3.7 | PC | M2.5 |
| PIH1204-P | 24×19 | 10~15 | ø37.6×4.1 | PC | M2.5 |

LUMINOUS INTENSITY DISTRIBUTION CURVE

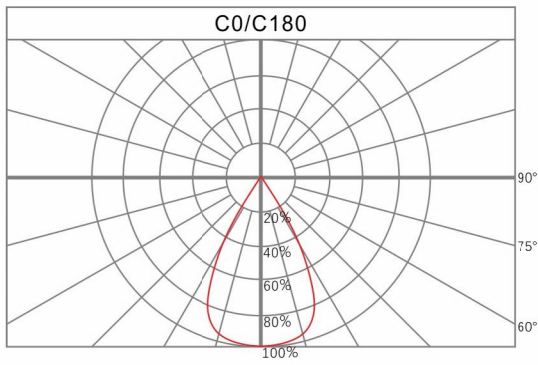
Relative intensity of BR06215-C1C



Relative intensity of BR06230-C1C



Relative intensity of BR06260-C1C



PACKING INFORMATION

Packing quantity (15° / 30°)

300 pcs / 12 Layers / Carton

Packing quantity (60°)

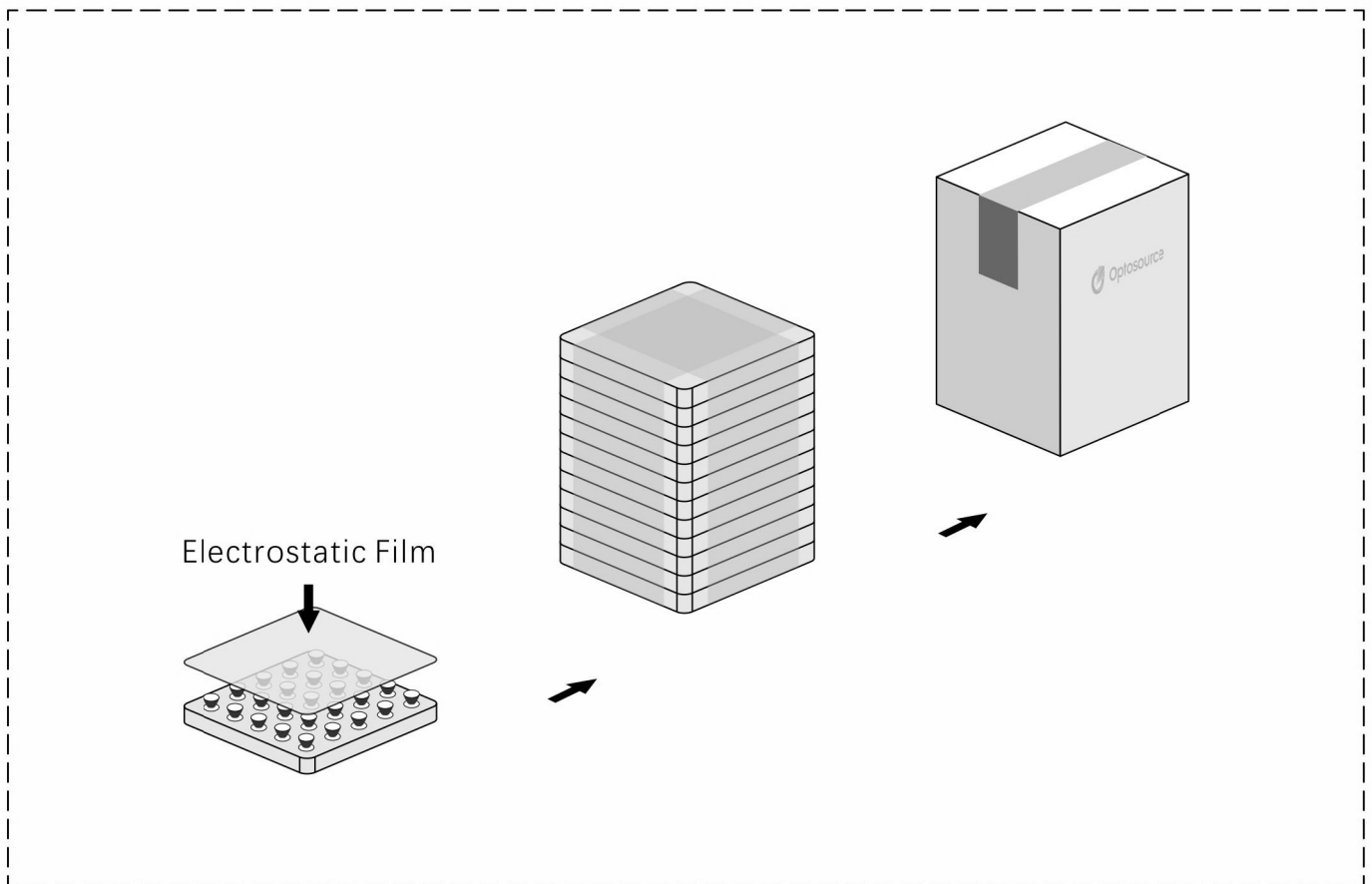
270 pcs / 11 Layers / Carton

Gross weight

6.7 kg

Carton measurement

375 * 375 * 590 mm



25 pcs / Plastic tray

12 Layers (15° / 30°)

11 Layers (60°)

500 pcs / Carton

Note:

- * Above measurement and weight are measured manually. If there have any difference, please refer to the actual product.
- * Storage temperature: 10°C~40°C Humidity: 45%~75%.



www.opto-source.com



+86 20 8266 0966



+86 18820021222



amyzou@hkoptosource.com



www.opto-source.com



广州市增城经济技术开发区香山大道42号雄兴孵化园4栋

Building 4, Xiongxing Incubation Park, No.42 Xiangshan Avenue,
Zengcheng Economic and Technological Development Zone, Guangzhou, China