



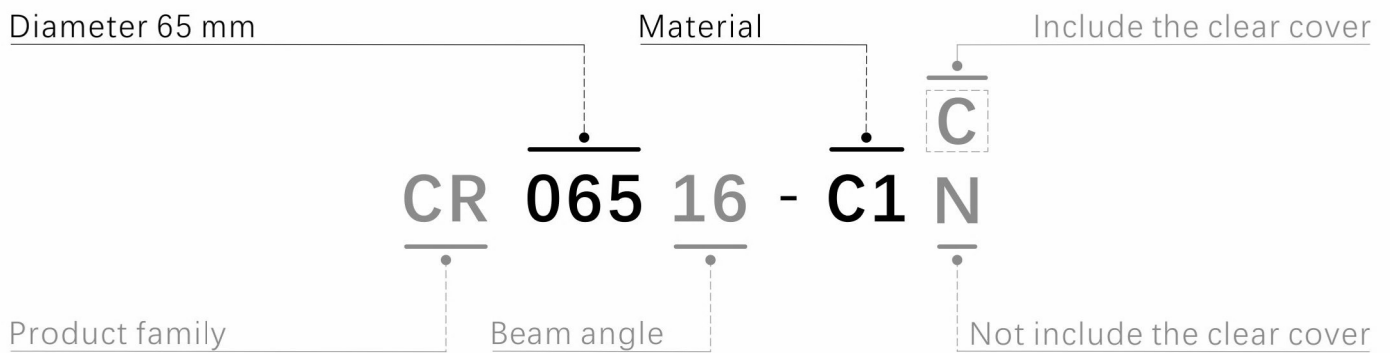
CR065-C1C

Date:20231109 **Ver1.0**



BASIC PARAMETERS

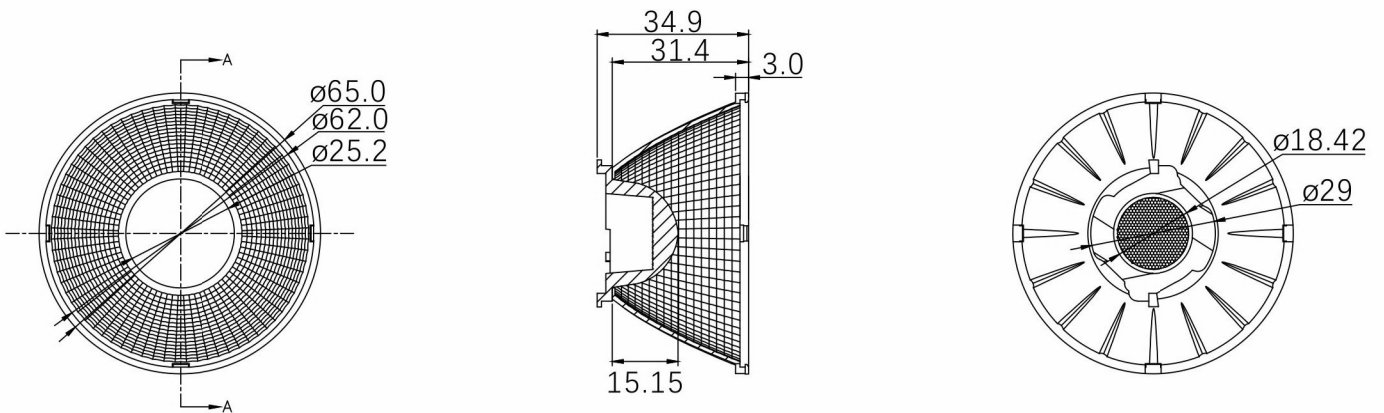
Basic parameters / Drawing	1~3P
Source	4P
Holders	5P
Luminousintensity distribution curve	6P
Packing information	7P



BASIC PARAMETERS

Model	CR065-C1C
Beam angle	16° / 24° / 34°
Cover	Transparent
Operating temperature	$T_c \leq 85^\circ\text{C}$
Plating / Color	Vacuum plating / Silver
RoHS	Yes
Material	PC
Lens	Yes

DRAWING



$\times \times \pm$	$\times . \times \pm$	$\times . \times \times \pm$	$\times . \times ^\circ \pm$
0.35	0.25	0.20	0.5°

Unit:mm

SOURCE

■ LES 10~15mm

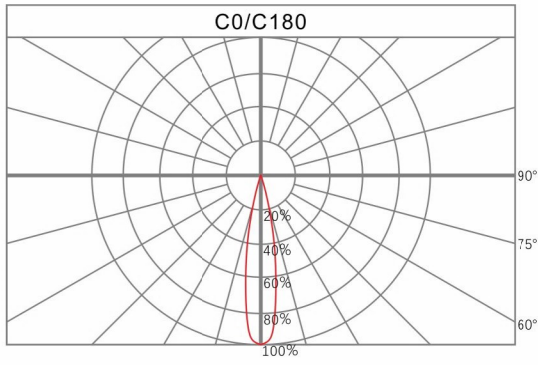
Bridgelux	E8 CA / V13 gen7·gen8·gen9 / V9 HD gen7·gen8 / V11 HD gen8
Citizen	CLU723 / CLU721
CREE	CXB1507 / CXB1512 / CXB1520 / CXB1816 / CXB1820 / CXB1830 / CHA0825 / CMA1516 CMA1825 / CMB1507 / CMB1510 / CMB1516 / CMB1818 / CMB1825 / CMB1840
Lumens	ERC1507HO / ERC1512HO / ERC1812HO / ERC1820HO
Lumileds	1202S / 1204 / 1205 / S04H9 / M02F09 / M03F09 / L06x13
Luminus	CHM-9-BH40 / CXM-11 gen3 / CXM-11 gen4 / CXM-11 LUX
Osram	S9
Nichia	NFCWL036B / NVEWL016Z / NFCWL060B / NVCWL024Z
Tridonic	SLE 13mm
Samsung	LC020C / LC030C

HOLDERS

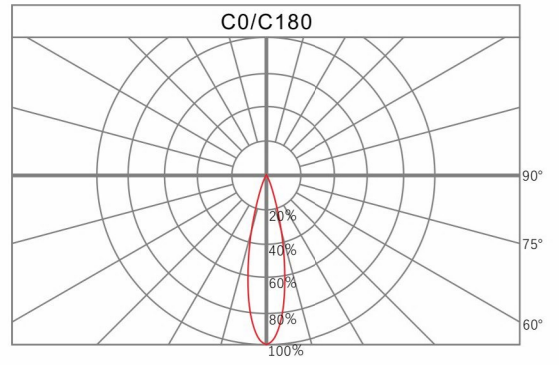
Type	COB size(mm)	COB LES(mm)	Size(mm)	Material	Screw size
BRHV013-A	15.8×15.8	10~14	∅40×2	PA9T	M3
BRHV013-C	15.85×15.85	10~15	∅36.2×2.0	PC	M3
BCH1330-A	19×19	10~17	∅40×2	PA9T	M3
CIHL030-A	19×19	10~17	∅36.2×2	PA9T	M3
LSHM9MI-A	15×15 15×12	8~11	50×44×2.2	PC	M3
CRH1830-A	15.85×15.85 18×18	10~16	50×44×2.2	PC	M3
LUH1114-A	18.5×18.5 18.5×15	10~16	50×44×2.2	PC	M3
CIHL030-B	19×19 21×21	10~17	50×44×2.2	PC	M3
SHHMEGA-PC	24×24 24×20	12~22	50×44×2.2	PC	M3

LUMINOUS INTENSITY DISTRIBUTION CURVE

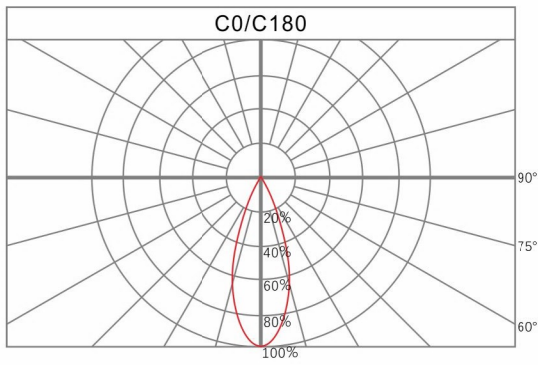
Relative intensity of CR06516-C1C



Relative intensity of CR06524-C1C



Relative intensity of CR06534-C1C



PACKING INFORMATION

Packing quantity

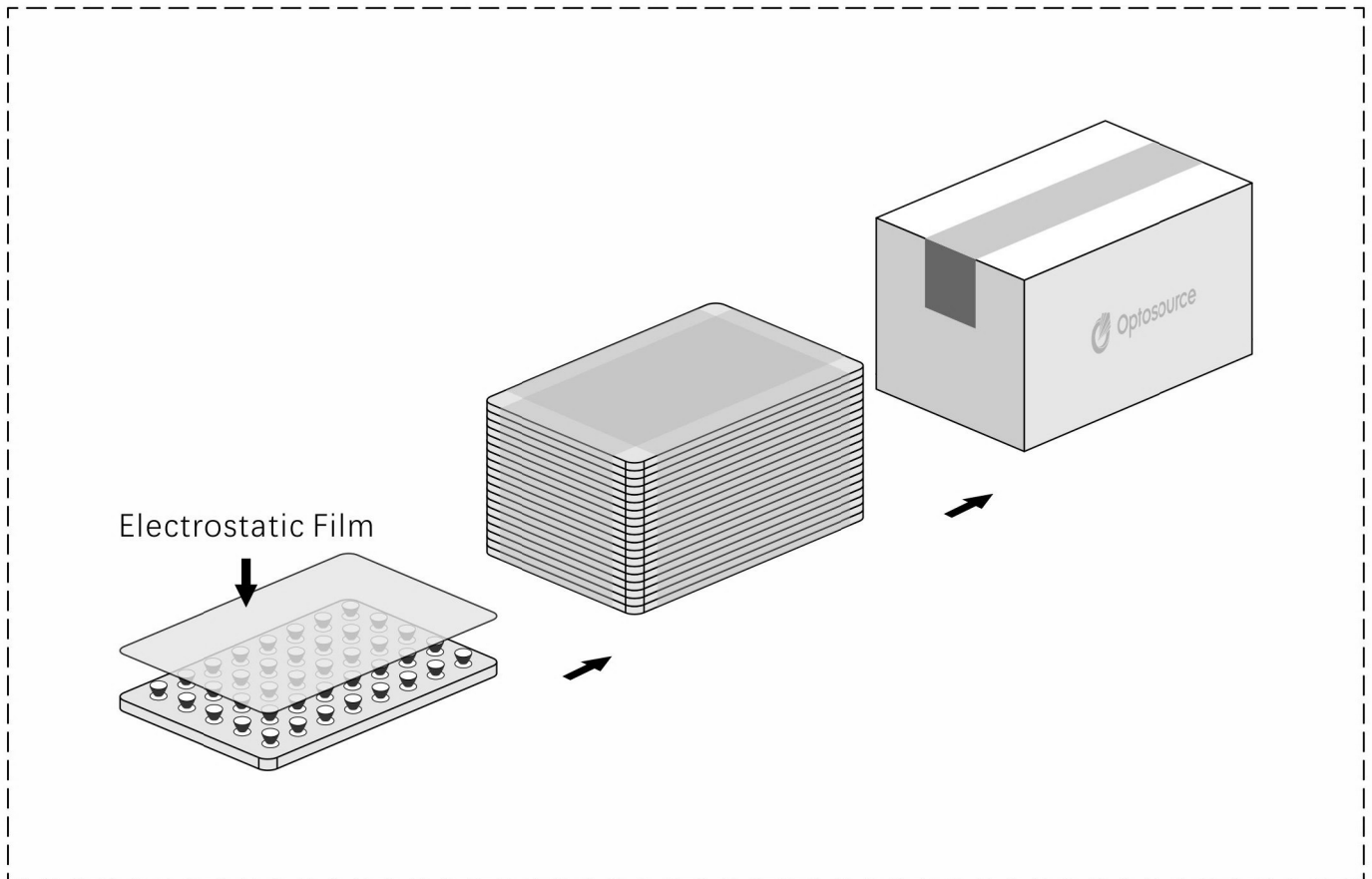
760 pcs / 19 Layers / Carton

Gross weight

14.5 kg

Carton measurement

650 * 440 * 680 mm



40 pcs / Plastic tray

19 Layers

760 pcs / Carton

Note:

- * Above measurement and weight are measured manually. If there have any difference, please refer to the actual product.
- * Storage temperature: 10°C~40°C Humidity: 45%~75%.



www.opto-source.com



+86 20 8266 0966



+86 18820021222



amyzou@hkoptosource.com



www.opto-source.com



广州市增城经济技术开发区香山大道42号雄兴孵化园4栋

Building 4, Xiongxing Incubation Park, No.42 Xiangshan Avenue,
Zengcheng Economic and Technological Development Zone, Guangzhou, China