



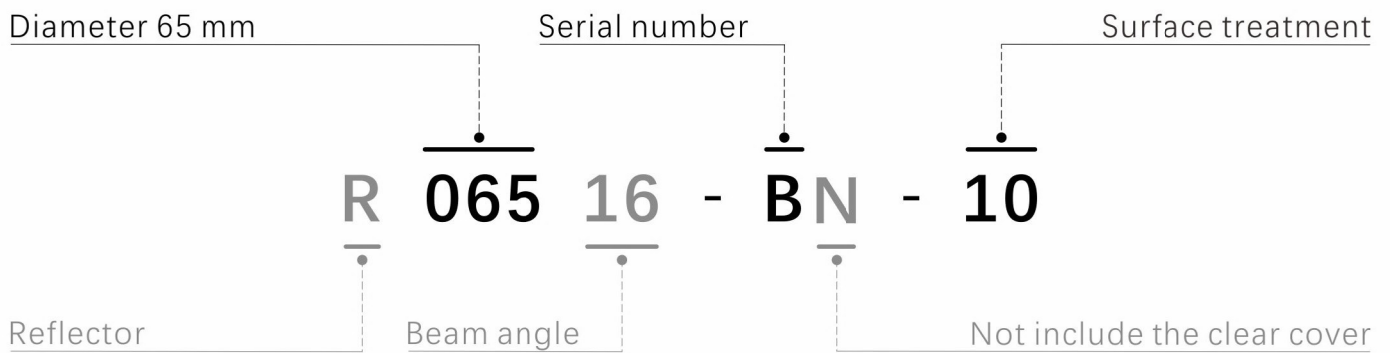
R065BN-10

Date:20231109 **Ver1.0**



BASIC PARAMETERS

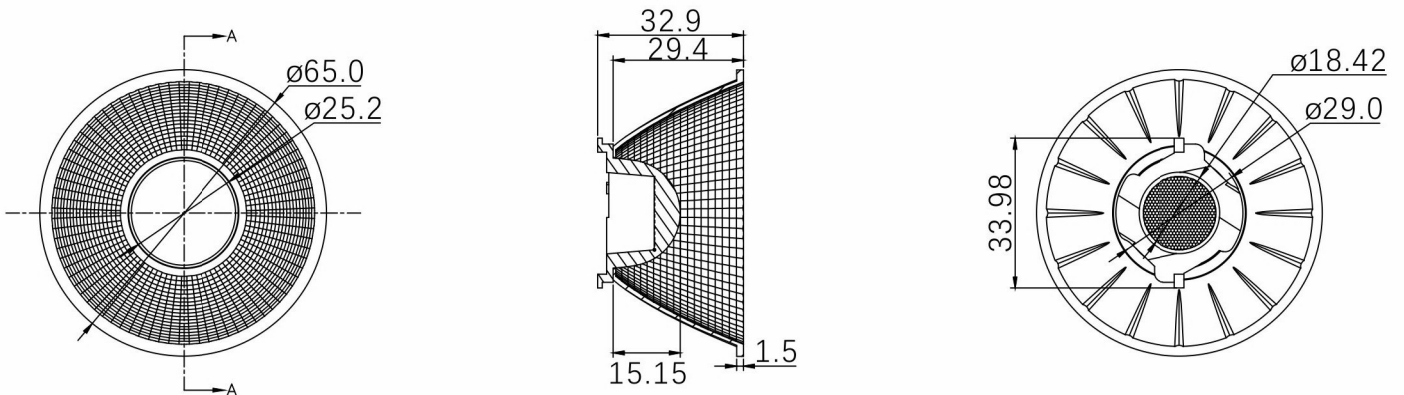
| | |
|--------------------------------------|------|
| Basic parameters / Drawing | 1~3P |
| Source | 4P |
| Holders | 5P |
| Luminousintensity distribution curve | 6P |
| Packing information | 7P |



BASIC PARAMETERS

| | |
|-----------------------|-----------------------------|
| Model | R065BN-10 |
| Beam angle | 16° / 24° / 36° |
| Cover | No |
| Operating temperature | $T_c \leq 85^\circ\text{C}$ |
| Plating / Color | Vacuum plating / Silver |
| RoHS | Yes |
| Material | PC |
| Lens | Yes |

DRAWING



| $\times \times \pm$ | $\times . \times \pm$ | $\times . \times \times \pm$ | $\times . \times ^\circ \pm$ |
|---------------------|-----------------------|------------------------------|------------------------------|
| 0.35 | 0.25 | 0.20 | 0.5° |

Unit:mm

SOURCE

■ LES 10~15mm

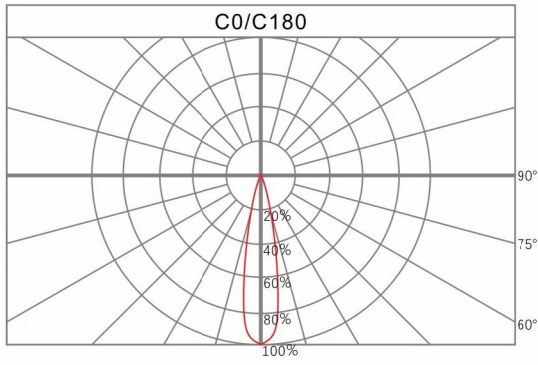
| | |
|-----------|--|
| Bridgelux | E8 CA / V13 gen7·gen8·gen9 / V9 HD gen7·gen8 / V11 HD gen8 |
| Citizen | CLU723 / CLU721 |
| CREE | CXB1507 / CXB1512 / CXB1520 / CXB1816 / CXB1820 / CXB1830 / CHA0825 / CMA1516 CMA1825 / CMB1507 / CMB1510 / CMB1516 / CMB1818 / CMB1825 / CMB1840 |
| Lumens | ERC1507HO / ERC1512HO / ERC1812HO / ERC1820HO |
| Lumileds | 1202S / 1204 / 1205 / S04H9 / M02F09 / M03F09 / L06x13 |
| Luminus | CHM-9-BH40 / CXM-11 gen3 / CXM-11 gen4 / CXM-11 LUX |
| Osram | S9 |
| Nichia | NFCWL036B / NVEWL016Z / NFCWL060B / NVCWL024Z |
| Tridonic | SLE 13mm |
| Samsung | LC020C / LC030C |

HOLDERS

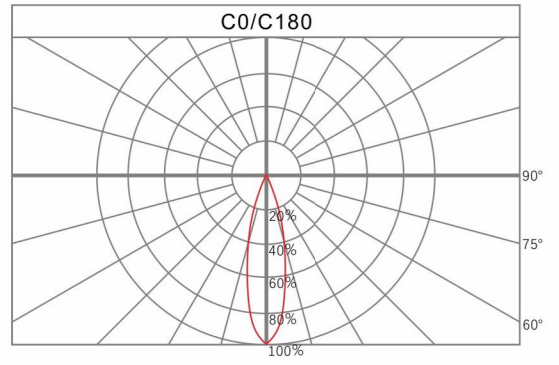
| Type | COB size(mm) | COB LES(mm) | Size(mm) | Material | Screw size |
|------------|----------------------|-------------|-----------|----------|------------|
| BRHV013-A | 15.8×15.8 | 10~14 | ∅40×2 | PA9T | M3 |
| BRHV013-C | 15.85×15.85 | 10~15 | ∅36.2×2.0 | PC | M3 |
| BCH1330-A | 19×19 | 10~17 | ∅40×2 | PA9T | M3 |
| CIHL030-A | 19×19 | 10~17 | ∅36.2×2 | PA9T | M3 |
| LSHM9MI-A | 15×15 15×12 | 8~11 | 50×44×2.2 | PC | M3 |
| CRH1830-A | 15.85×15.85 18×18 | 10~16 | 50×44×2.2 | PC | M3 |
| LUH1114-A | 18.5×18.5 18.5×15 | 10~16 | 50×44×2.2 | PC | M3 |
| CIHL030-B | 19×19 21×21 | 10~17 | 50×44×2.2 | PC | M3 |
| SHHMEGA-PC | 24×24 24×20 | 12~22 | 50×44×2.2 | PC | M3 |

LUMINOUS INTENSITY DISTRIBUTION CURVE

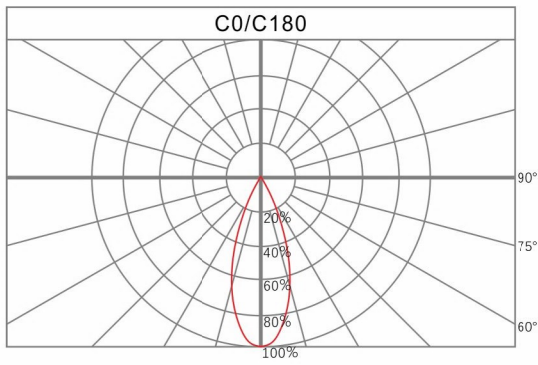
Relative intensity of R06516BN-10



Relative intensity of R06524BN-10



Relative intensity of R06536BN-10



PACKING INFORMATION

Packing quantity

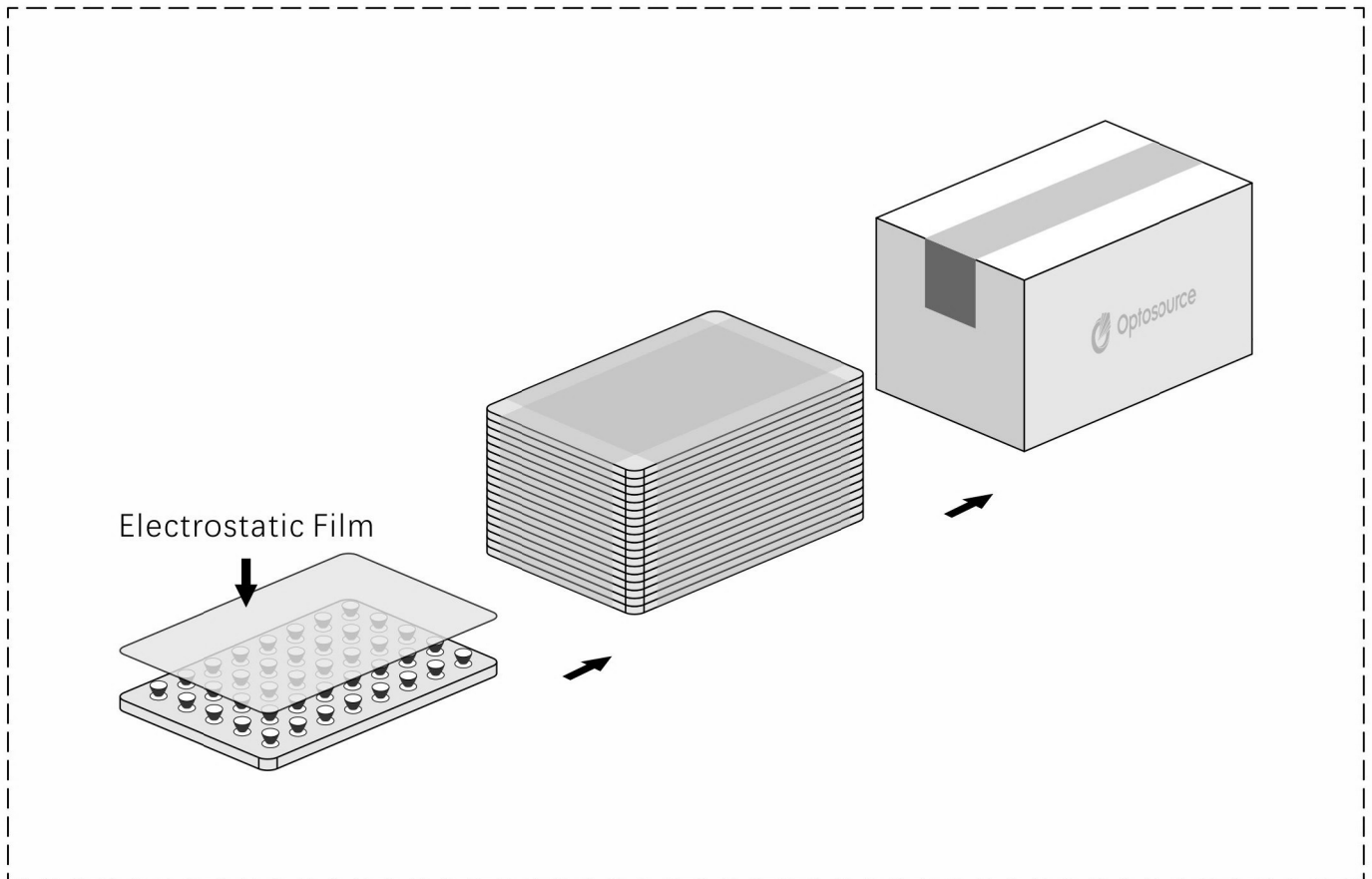
720 pcs / 18 Layers / Carton

Gross weight

10.3 kg

Carton measurement

650 * 440 * 680 mm



40 pcs / Plastic tray

18 Layers

720 pcs / Carton

Note:

- * Above measurement and weight are measured manually. If there have any difference, please refer to the actual product.
- * Storage temperature: 10°C~40°C Humidity: 45%~75%.



www.opto-source.com



+86 20 8266 0966



+86 18820021222



amyzou@hkoptosource.com



www.opto-source.com



广州市增城经济技术开发区香山大道42号雄兴孵化园4栋

Building 4, Xiongxing Incubation Park, No.42 Xiangshan Avenue,
Zengcheng Economic and Technological Development Zone, Guangzhou, China