



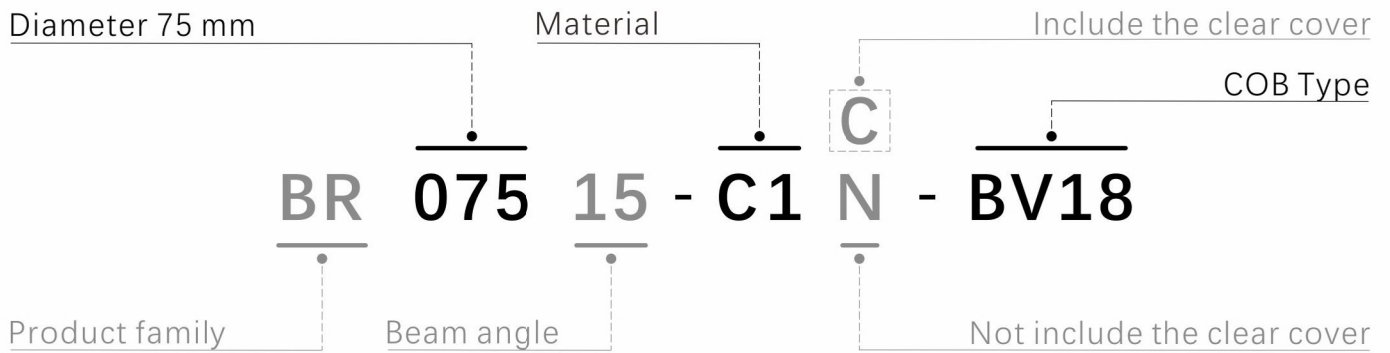
BR075-C1C-BV18

Date:20231109 **Ver1.0**



BASIC PARAMETERS

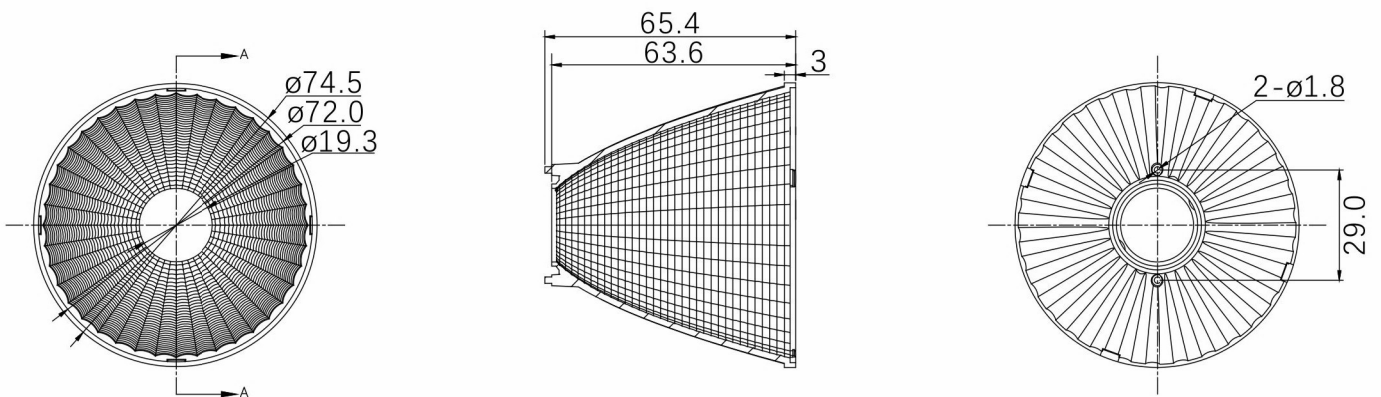
Basic parameters / Drawing	1~3P
Source	4P
Holders	5P
Luminousintensity distribution curve	6P
Packing information	7P



BASIC PARAMETERS

Model	BR075-BV18
Beam angle	15° / 30° / 38°
Cover	Transparent / Atomization
Operating temperature	$T_c \leq 85^\circ\text{C}$
Plating / Color	Vacuum plating / Silver
RoHS	Yes
Material	PC
Lens	No

DRAWING



$\times \times \pm$	$\times . \times \pm$	$\times . \times \times \pm$	$\times . \times ^\circ \pm$
0.35	0.25	0.20	0.5°

Unit:mm

SOURCE

■ LES 13~18mm

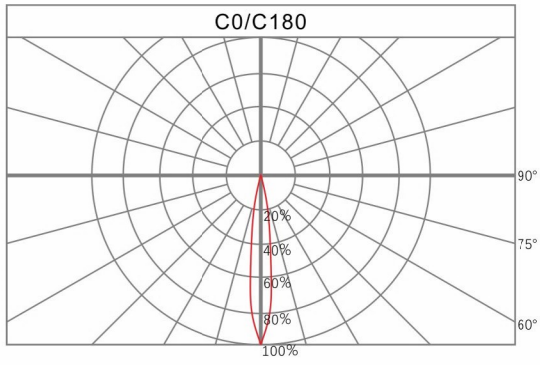
Bridgelux	E10 / V15 gen7·gen8·gen9 / V9 HD gen7·gen8 / V11 HD gen8 / Vero18
Luminus	CIM-14-AC30 gen3 / CLM-14-AC30 gen3 / CXM-14-AC30 gen3 / CIM-14 gen4 / CGM-14 gen4 CXM-14 gen4 / CGM-14 gen6 / CIM-14 gen6 / CLM-14 gen6 / CXM-14 gen6 / CLM-14-TC50 LUX

HOLDERS

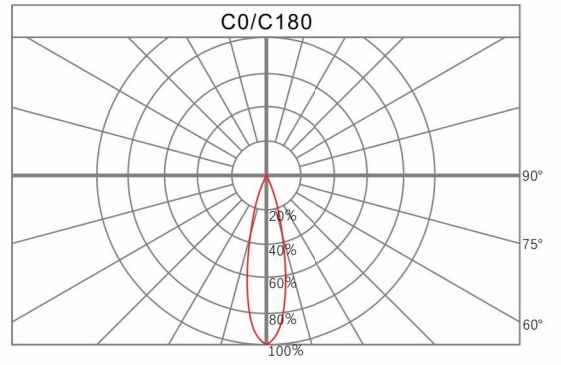
Type	COB size(mm)	COB LES(mm)	Size(mm)	Material	Screw size
CRH1816-P	17.85×17.85	10~15	ø36.2×4.1	PC	M2.5
BCH1330-A	19×19	10~17	ø40×2.0	PA9T	M3
CIHL030-A	19×19	10~17	ø36.2×2	PA9T	M3
CIHL030-P	19×19	10~17	29.4×29.4×3.2	PC	M3
H161919B-01	19×19	10~16	ø35×3.5	PC	M3
BRHV1518-A	21×21	14~19	ø50×2.0	PA9T	M3
BRHV015-P	21×21	14~17	ø36.2×3.0	PC	M2.5
TRH0017-P	21×21	14~17	ø36×3.2	PC	M2.5
SAHC026-P	21.5×21.5	14~18	ø34×4.4	PC	M2.5
NIHN216-P	24×19	14~18	ø36.2×3.0	PC	M2.5
H182420A-01	24×20	14~18	ø35×3.2	PC	M2.5
PIH1208-P	24×20	14~17	ø36.2×4.0	PC	M2.5
SHHMEGA-P	24×20	12~17	ø35×3.7	PC	M3

LUMINOUS INTENSITY DISTRIBUTION CURVE

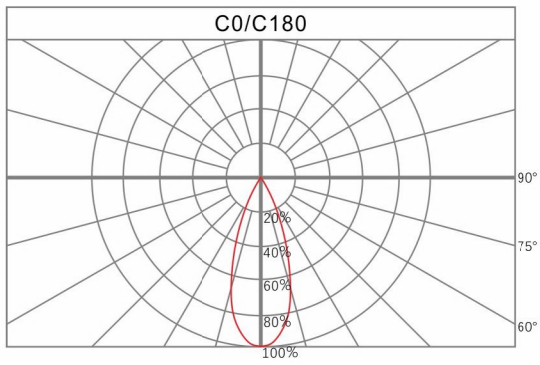
Relative intensity of BR07515-BV18



Relative intensity of BR07530-BV18



Relative intensity of BR07538-BV18



PACKING INFORMATION

Packing quantity

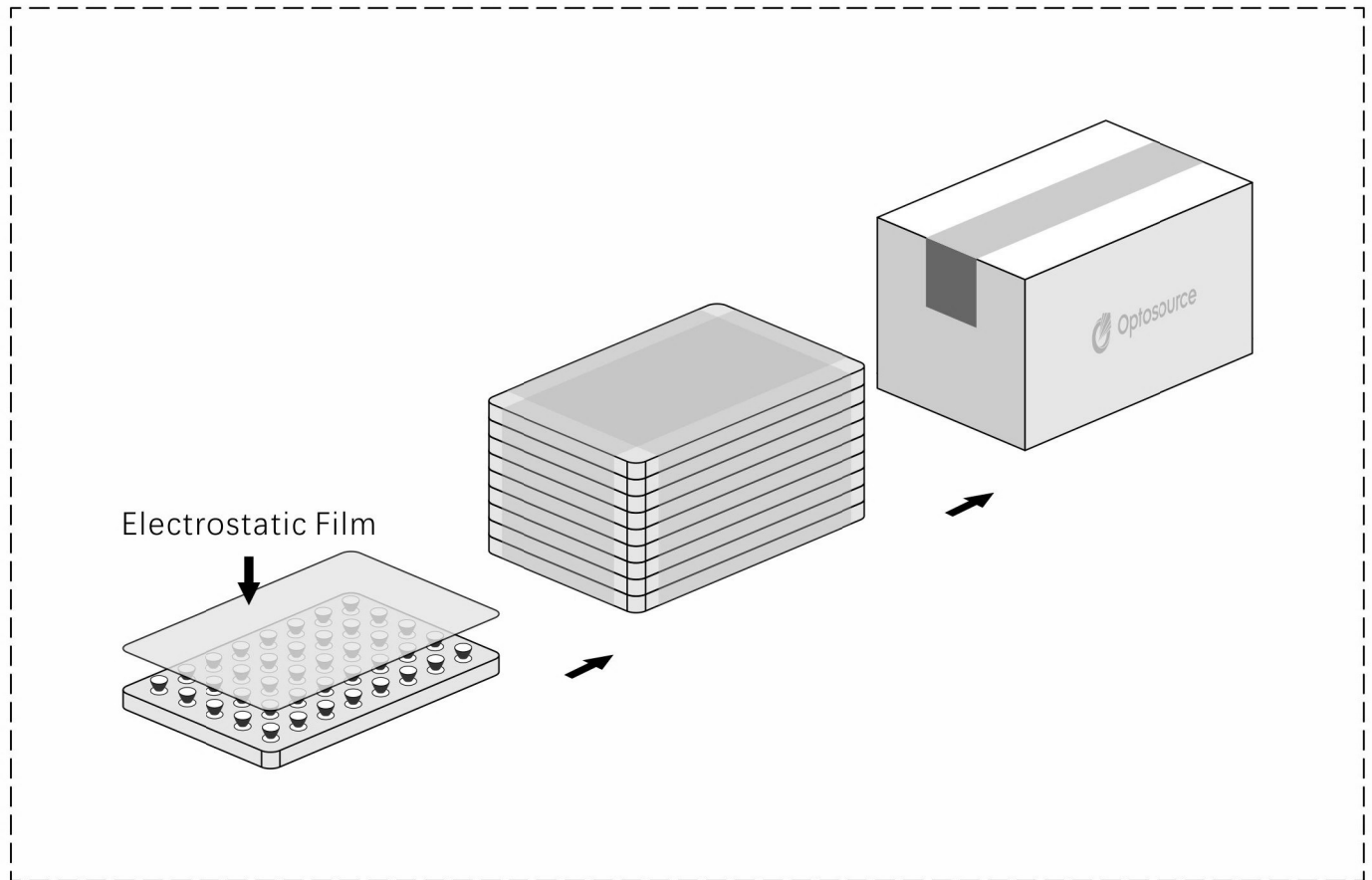
360 pcs / 9 Layers / Carton

Gross weight

16 kg

Carton measurement

650 * 440 * 680 mm



40 pcs / Plastic tray

9 Layers

360 pcs / Carton

Note:

- * Above measurement and weight are measured manually. If there have any difference, please refer to the actual product.
- * Storage temperature: 10°C~40°C Humidity: 45%~75%.



www.opto-source.com



+86 20 8266 0966



+86 18820021222



amyzou@hkoptosource.com



www.opto-source.com



广州市增城经济技术开发区香山大道42号雄兴孵化园4栋

Building 4, Xiongxing Incubation Park, No.42 Xiangshan Avenue,
Zengcheng Economic and Technological Development Zone, Guangzhou, China