



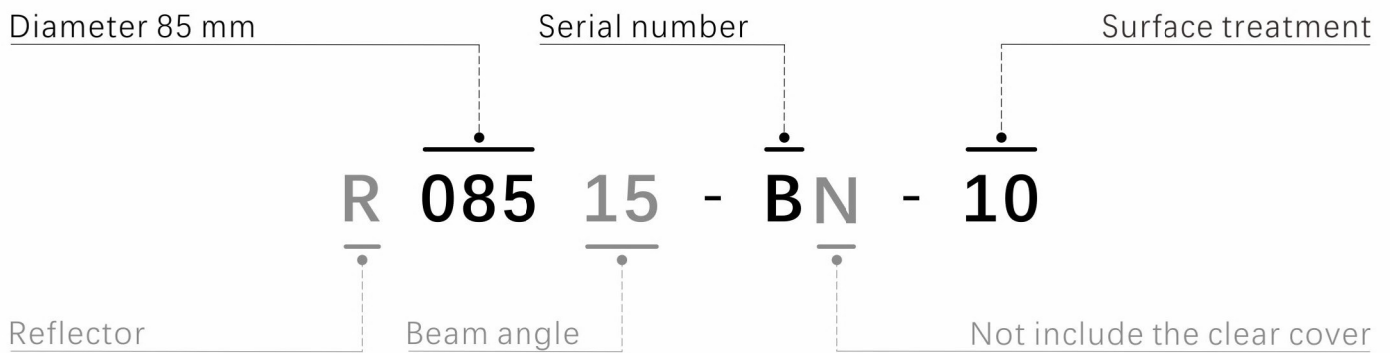
# R085BN-10

Date:20231109 **Ver1.0**



## BASIC PARAMETERS

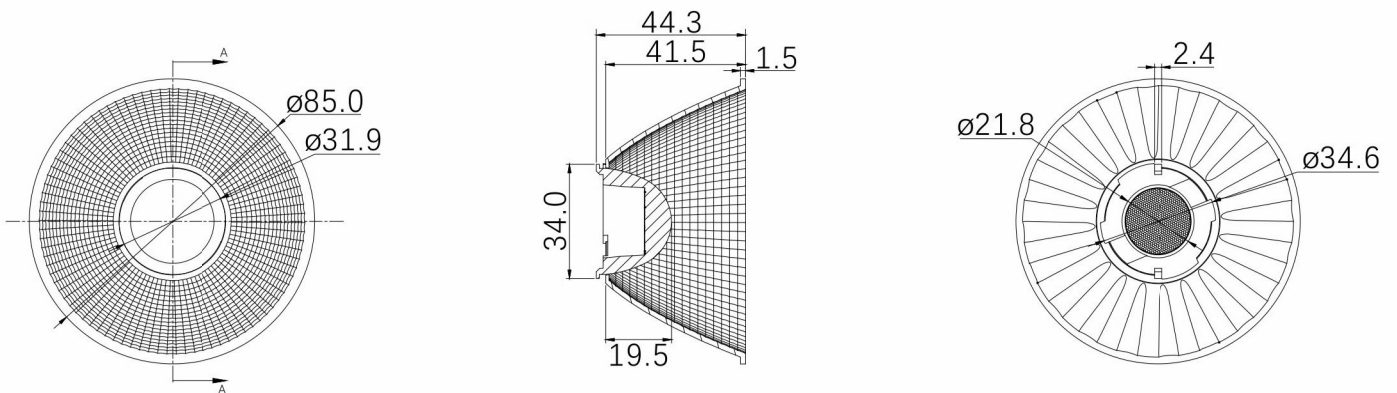
Basic parameters / Drawing	1~3P
Source	4P
Holders	5P
Luminousintensity distribution curve	6P
Packing information	7P



## BASIC PARAMETERS

Model	R085BN-10
Beam angle	15° / 25° / 36°
Cover	No
Operating temperature	$T_c \leq 85^\circ\text{C}$
Plating / Color	Vacuum plating / Silver
RoHS	Yes
Material	PC
Lens	Yes

## DRAWING



$\times \times \pm$	$\times . \times \pm$	$\times . \times \times \pm$	$\times . \times ^\circ \pm$
0.35	0.25	0.20	0.5°

Unit:mm

## SOURCE

### ■ LES 10~18mm

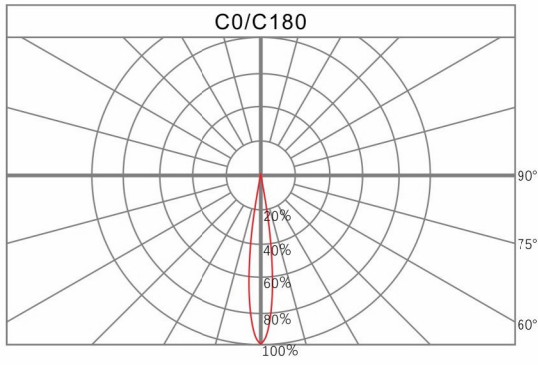
Bridgelux	E8 CA / E15 / V13 gen7·gen8·gen9 / V15 gen7·gen8·gen9 / V9 HD gen7·gen8 / V11 HD gen8
Citizen	CLU723 / CLU721 / CLU038 / CLU03J / CLU03Q
CREE	CXB1507 / CXB1520 / CXB1816 / CXB1830 / CHA0825 / CMA1516 / CMA1825 / CMB1507 CMB1516 / CMB1818 / CMB1825 / CMT1922 / CMT1930 / CMU1519 / CMU1526
Lumens	ERC1507HO / ERC1512HO / ERC1812HO / ERC1820HO / 2025H2 / 2032H2
Lumileds	1202S / 1204 / 1205 / 1208 / S04H9 / M02F09 / M03F09 / L06x13 / L08x15 / L10x15
Luminus	CHM-9-BH40 / CXM-11 gen4 / CXM-11 LUX / CIM-14-AC30 gen3 / CXM-14-AC30 gen3 CXM-14 gen4 / CGM-14 gen6 / CIM-14 gen6 / CLM-14 gen6 / CXM-14 gen6 / CLM-14-TC50 LUX
Osram	S9 / S14 / S19
Nichia	NFCWL036B / NVEWL016Z / NFCWL060B / NVCWL024Z
Tridonic	SLE 13mm / SLE 15mm
Samsung	LC020C / LC030C / LC016D / LC019D / LC026D / LC033D
Seoul	SAWS1564A / SAWS1566A

## HOLDERS

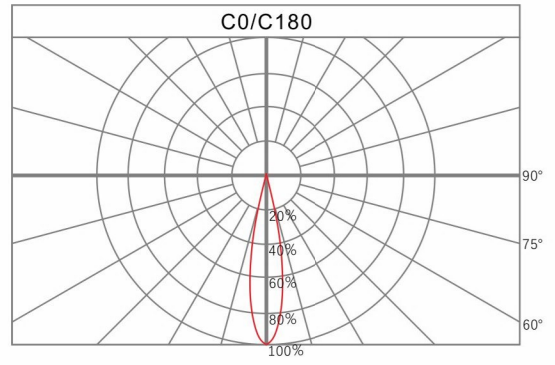
Type	COB size(mm)	COB LES(mm)	Size(mm)	Material	Screw size
BRHV013-A	15.8×15.8	10~14	ø40×2	PA9T	M3
BRHV013-C	15.85×15.85	10~15	ø36.2×2.0	PC	M3
BCH1330-A	19×19	10~17	ø40×2	PA9T	M3
CIHL030-A	19×19	10~17	ø36.2×2	PA9T	M3
BRHV1518-A	21×21	14~19	ø50×2.0	PA9T	M3
BCHV1825-A	24×24	16~21	ø50×2.0	PA9T	M3
LSHM9MI-A	15×15 15×12	8~11	50×44×2.2	PC	M3
CRH1830-A	15.85×15.85 18×18	10~16	50×44×2.2	PC	M3
LUH1114-A	18.5×18.5	10~16	50×44×2.2	PC	M3
CIHL030-B	19×19 21×21	10~17	50×44×2.2	PC	M3
SHHMEGA-PC	24×24 24×20	12~22	50×44×2.2	PC	M3

# LUMINOUS INTENSITY DISTRIBUTION CURVE

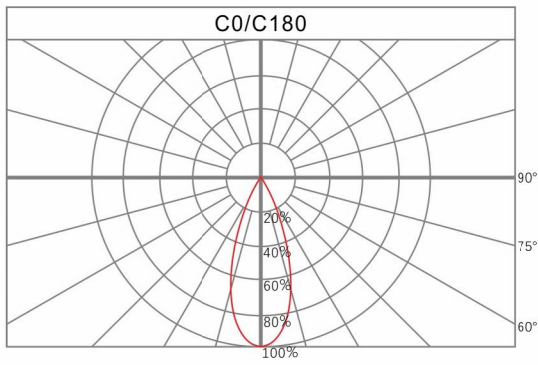
Relative intensity of R08515BN-10



Relative intensity of R08525BN-10



Relative intensity of R08536BN-10



## PACKING INFORMATION

Packing quantity

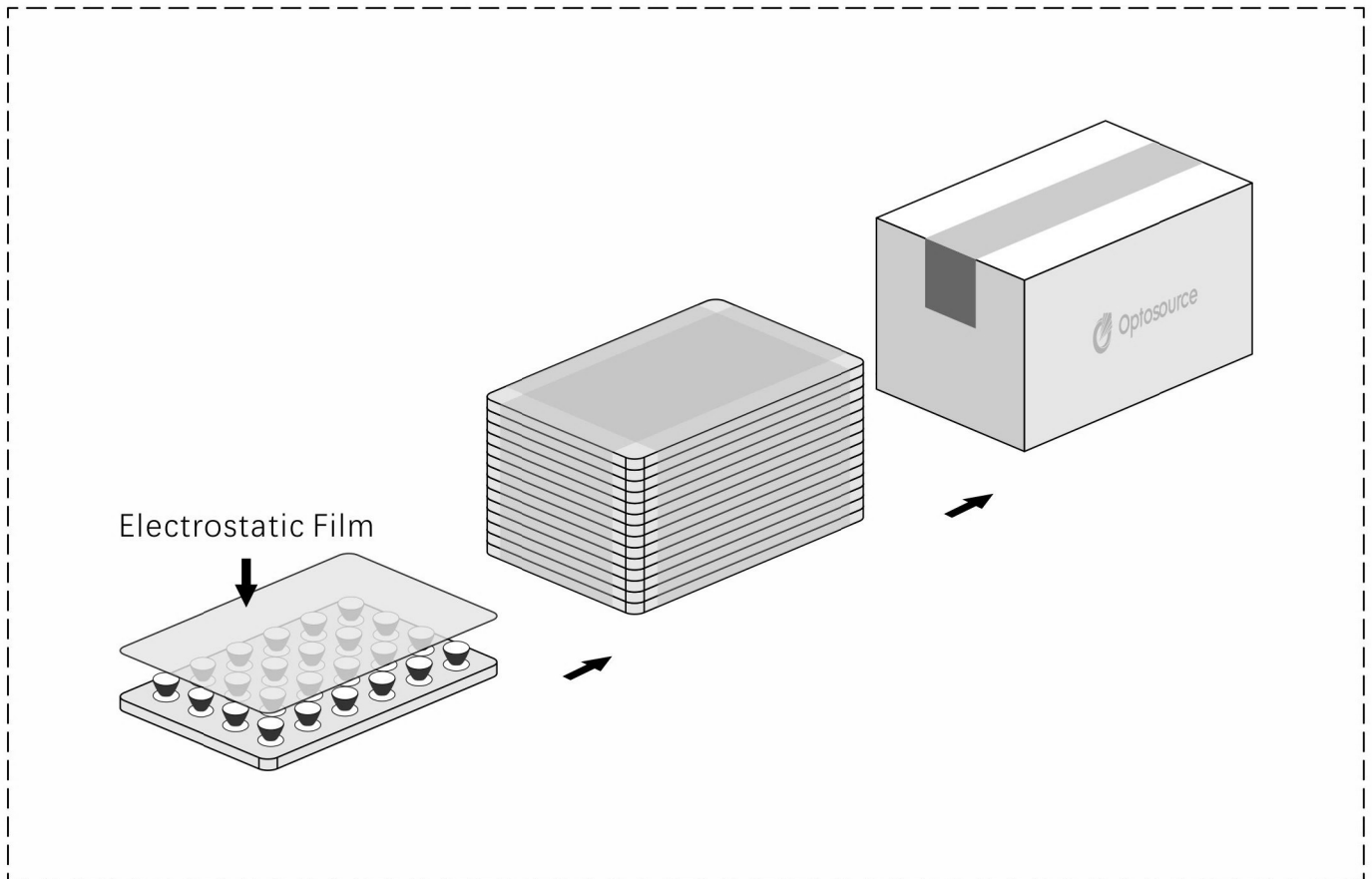
336 pcs / 14 Layers / Carton

Gross weight

10.8 kg

Carton measurement

650 \* 440 \* 680 mm



24 pcs / Plastic tray

14 Layers

336 pcs / Carton

Note:

- \* Above measurement and weight are measured manually. If there have any difference, please refer to the actual product.
- \* Storage temperature: 10°C~40°C Humidity: 45%~75%.



www.opto-source.com



+86 20 8266 0966



+86 18820021222



amyzou@hkoptosource.com



www.opto-source.com



广州市增城经济技术开发区香山大道42号雄兴孵化园4栋

Building 4, Xiongxing Incubation Park, No.42 Xiangshan Avenue,  
Zengcheng Economic and Technological Development Zone, Guangzhou, China