



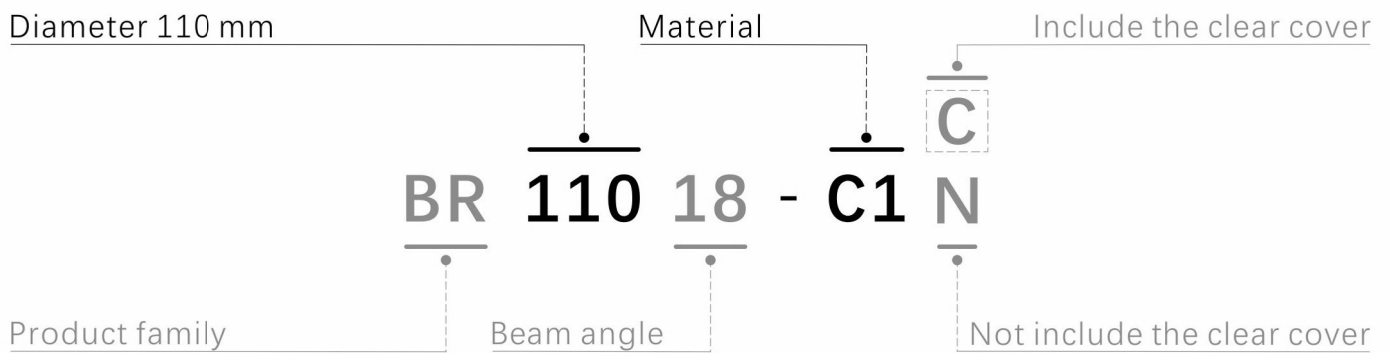
BR110-C1C

Date:20231109 **Ver1.0**



BASIC PARAMETERS

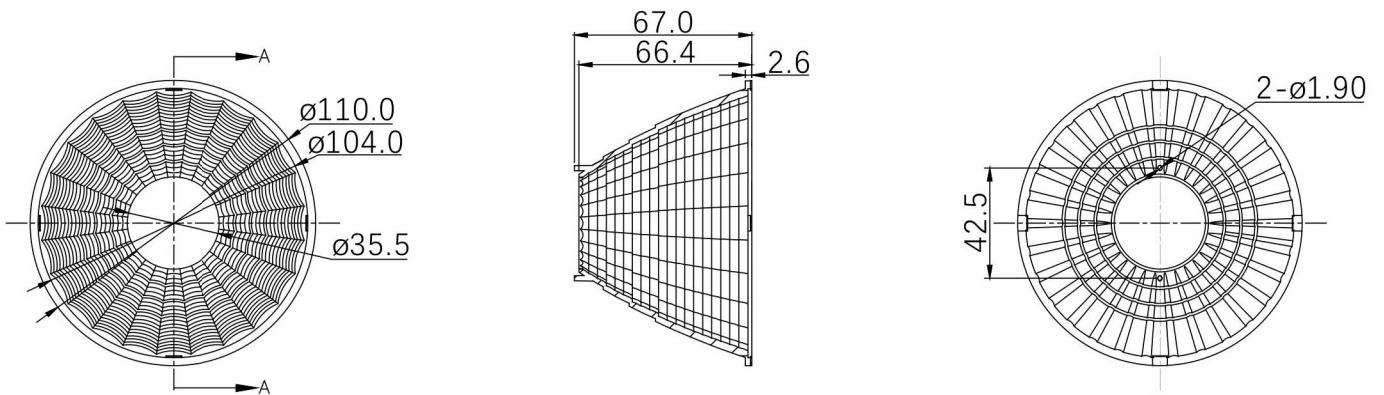
Basic parameters / Drawing	1~3P
Source	4P
Luminous intensity distribution curve	5P
Packing information	6P



BASIC PARAMETERS

Model	BR110-C1C
Beam angle	18° / 28° / 40°
Cover	Transparent
Operating temperature	$T_c \leq 85^\circ\text{C}$
Plating / Color	Vacuum plating / Silver
RoHS	Yes
Material	PC
Lens	No

DRAWING



$\times \times \pm$	$\times . \times \pm$	$\times . \times \times \pm$	$\times . \times ^\circ \pm$
0.35	0.25	0.20	0.5°

Unit:mm

SOURCE

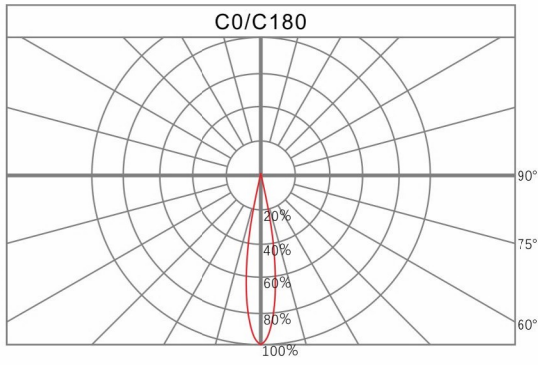
■ **LES 30~34mm**

Bridgelux

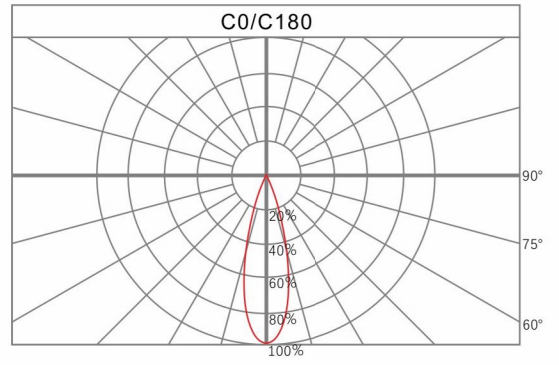
Vero29 gen7·gen8

LUMINOUS INTENSITY DISTRIBUTION CURVE

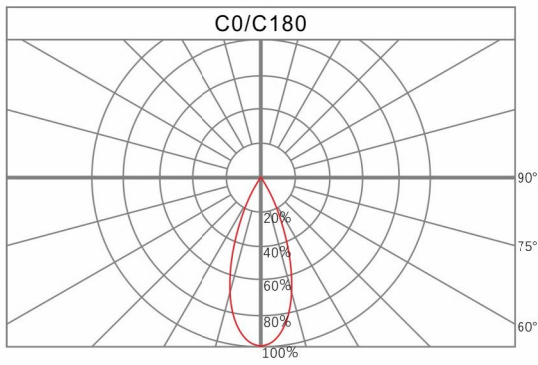
Relative intensity of BR11018-C1C



Relative intensity of BR11028-C1C



Relative intensity of BR11040-C1C



PACKING INFORMATION

Packing quantity

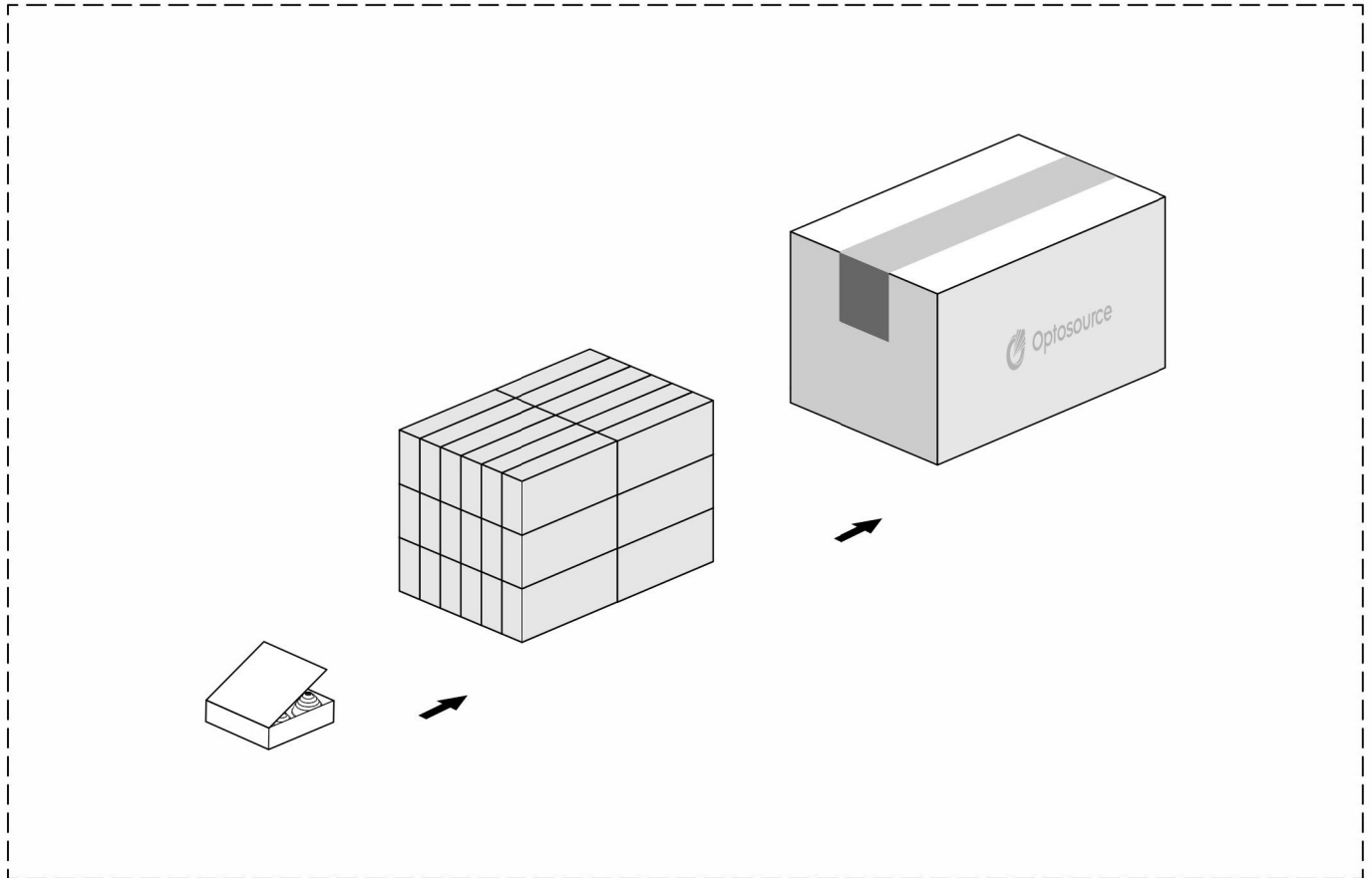
180 pcs / 36 Layers / Carton

Gross weight

14.5 kg

Carton measurement

650 * 440 * 680 mm



5 pcs / Box

36 Boxes

180 pcs / Carton

Note:

- * Above measurement and weight are measured manually. If there have any difference, please refer to the actual product.
- * Storage temperature: 10°C~40°C Humidity: 45%~75%.



www.opto-source.com



+86 20 8266 0966



+86 18820021222



amyzou@hkoptosource.com



www.opto-source.com



广州市增城经济技术开发区香山大道42号雄兴孵化园4栋

Building 4, Xiongxing Incubation Park, No.42 Xiangshan Avenue,
Zengcheng Economic and Technological Development Zone, Guangzhou, China