



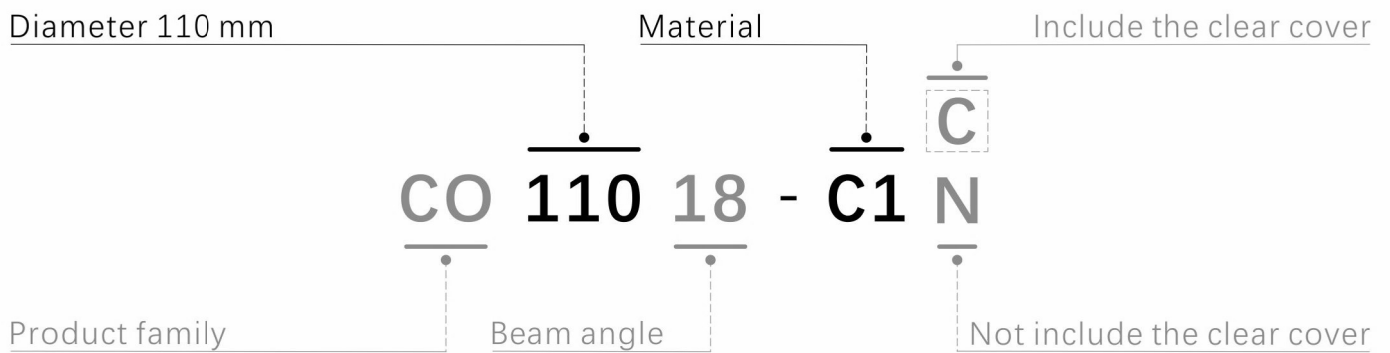
CO110-C1C

Date:20231109 **Ver1.0**



BASIC PARAMETERS

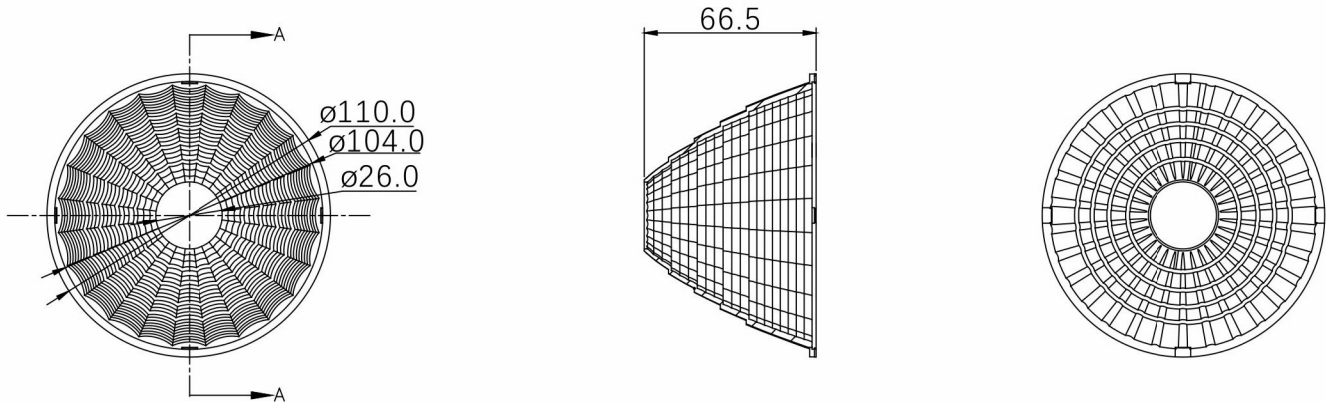
Basic parameters / Drawing	1~3P
Source	4P
Holders	5P
Luminousintensity distribution curve	6P
Packing information	7P



BASIC PARAMETERS

Model	CO110-C1C
Beam angle	18° / 28° / 38°
Cover	Transparent
Operating temperature	$T_c \leq 85^\circ\text{C}$
Plating / Color	Vacuum plating / Silver
RoHS	Yes
Material	PC
Lens	No

DRAWING



$\times \times \pm$	$\times . \times \pm$	$\times . \times \times \pm$	$\times . \times ^\circ \pm$
0.35	0.25	0.20	0.5°

Unit:mm

SOURCE

■ LES 22~25mm

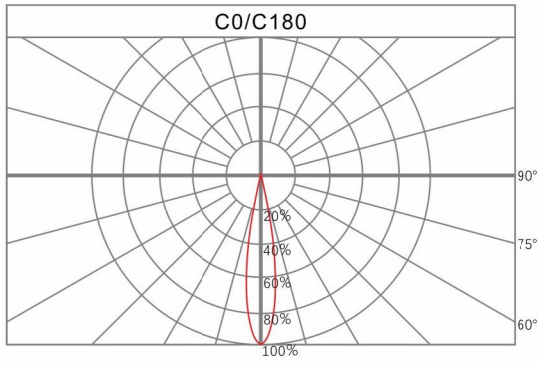
Bridgelux	E22 / V22 gen7·gen8·gen9
Citizen	CLU048 / CLU04J / CLU04Q
CREE	CXB3070 / CMA3090 / CMB3090 / CMT2890 / CMU2287
Lumens	ERC3050HO / ERC3070HO
Lumileds	1213 / 1216 / 1812
Luminus	CLM-22 gen3 / CXM-22 gen3 / CGM-22 gen4 / CIM-22 gen4 / CLM-22 gen4 / CXM-22 gen4 CGM-22 gen6 / CIM-22 gen6CLM-22 gen6 / CXM-22 gen6 / CXM-22-TC50 LUX
Tridonic	SLE 21mm
Seoul	SAWS226AA

HOLDERS

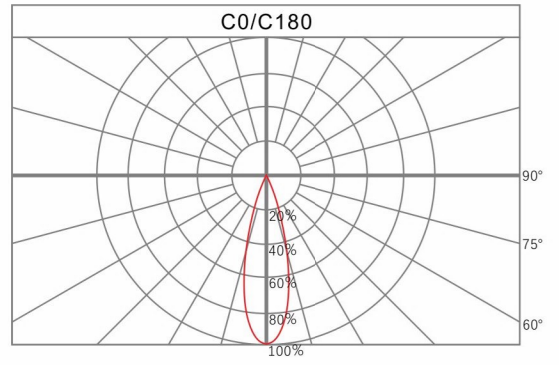
Type	COB size(mm)	COB LES(mm)	Size(mm)	Material	Screw size
TRH0023-P	31×31	20~27	ø46×3.5	PC	M3

LUMINOUS INTENSITY DISTRIBUTION CURVE

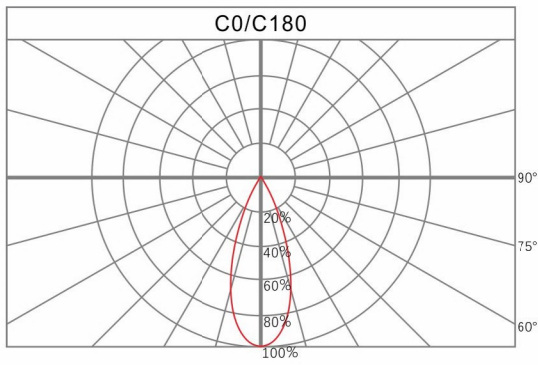
Relative intensity of CO11018-C1C



Relative intensity of CO11028-C1C



Relative intensity of CO11038-C1C



PACKING INFORMATION

Packing quantity

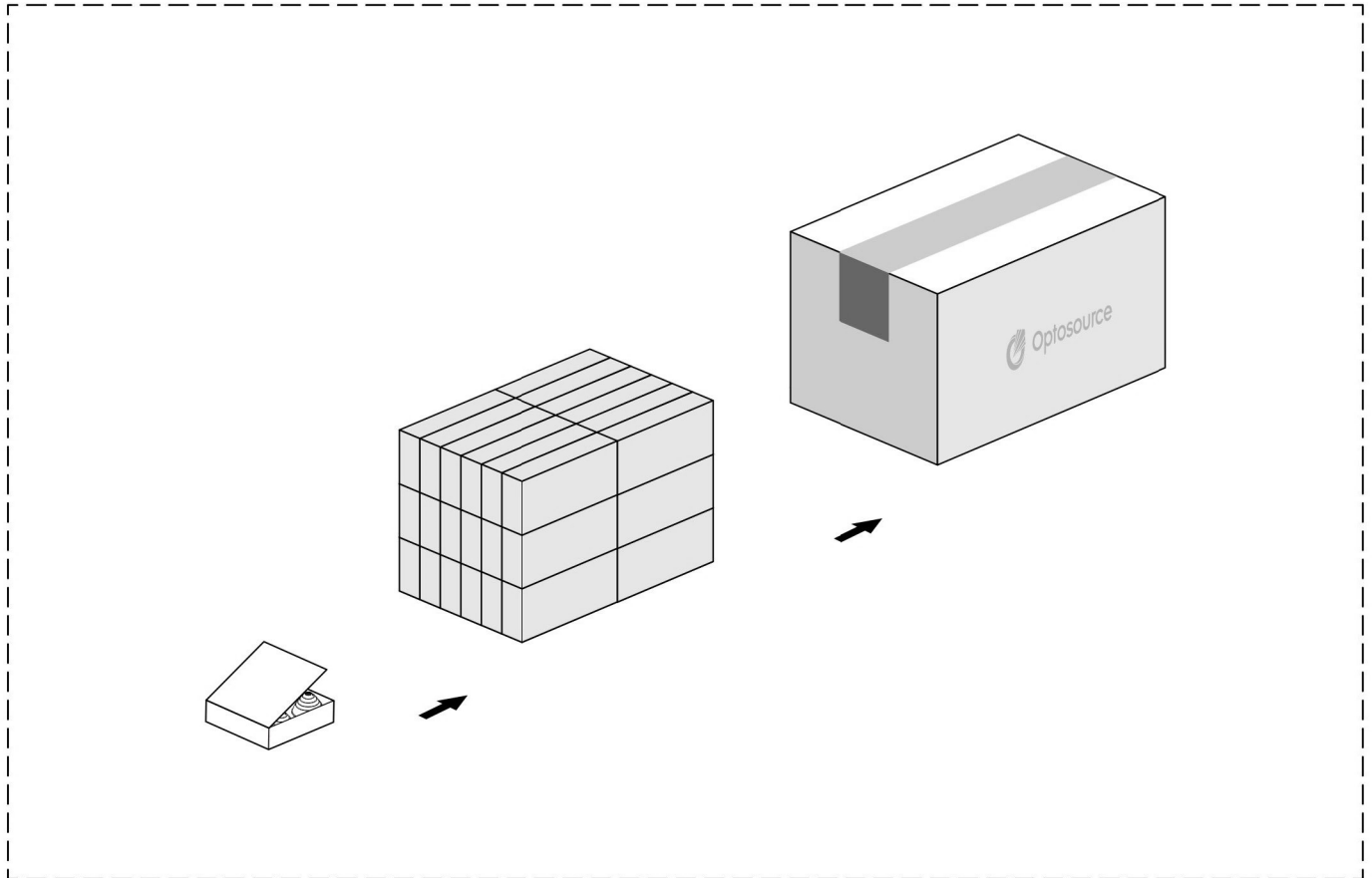
180 pcs / 36 Layers / Carton

Gross weight

14.5 kg

Carton measurement

650 * 440 * 680 mm



5 pcs / Box

36 Boxes

180 pcs / Carton

Note:

- * Above measurement and weight are measured manually. If there have any difference, please refer to the actual product.
- * Storage temperature: 10°C~40°C Humidity: 45%~75%.



www.opto-source.com



+86 20 8266 0966



+86 18820021222



amyzou@hkoptosource.com



www.opto-source.com



广州市增城经济技术开发区香山大道42号雄兴孵化园4栋

Building 4, Xiongxing Incubation Park, No.42 Xiangshan Avenue,
Zengcheng Economic and Technological Development Zone, Guangzhou, China