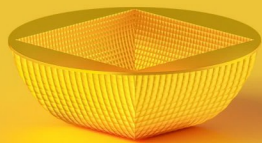




# P90529

Date:20231109 **Ver1.0**



---

## BASIC PARAMETERS

Basic parameters / Drawing ————— 1~3P

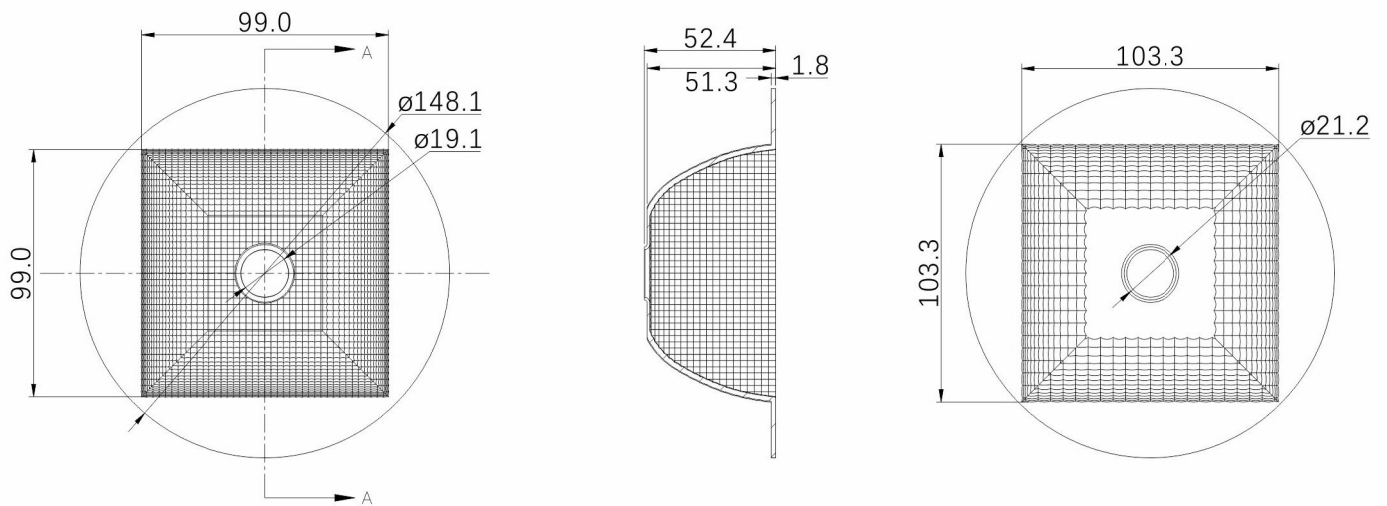
Source ————— 4P

Luminousintensity distribution curve ————— 5P

## BASIC PARAMETERS

Model	P90529
Beam angle	85°
Cover	No
Operating temperature	$T_c \leq 85^\circ\text{C}$
Plating / Color	Vacuum plating / Silver
RoHS	Yes
Material	PC
Lens	No

## DRAWING



$\times \times \pm$	$\times . \times \pm$	$\times . \times \times \pm$	$\times . \times ^\circ \pm$
0.35	0.25	0.20	0.5°

Unit:mm

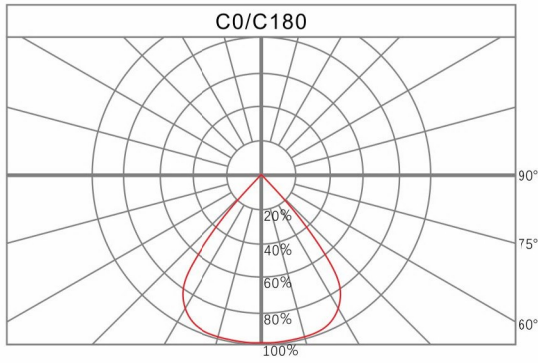
## SOURCE

### ■ LES 12~18mm

Bridgelux	E10 / V15 gen7·gen8·gen9 / V9 HD gen7·gen8 / V11 HD gen8 / Vero18
Citizen	CLU038 / CLU03J / CLU03Q
CREE	CMA1840 / CMB1840 / CMT1925 / CMT1940 / CMU1516 / CMU1519 / CMU1526
Lumens	2032H2
Lumileds	1204 / 1205 / 1208 / L08F14 / L08x15 / L10x15
Luminus	CIM-14-AC30 gen3 / CLM-14-AC30 gen3 / CXM-14-AC30 gen3 / CIM-14 gen4 CGM-14 gen4 / CXM-14 gen4 / CGM-14 gen6 / CIM-14 gen6 / CLM-14 gen6 CXM-14 gen6 / CLM-14-TC50 LUX
Osram	S14
Nichia	NFCWJ108B / NFDWJ130B / NVEWJ048Z
Tridonic	SLE 15mm
Samsung	LC016D / LC019D / LC026D / LC033D
Seoul	SAWS1564A / SAWS1566A

# LUMINOUS INTENSITY DISTRIBUTION CURVE

Relative intensity of P90528



www.opto-source.com



+86 20 8266 0966



+86 18820021222



amyzou@hkoptosource.com



www.opto-source.com



广州市增城经济技术开发区香山大道42号雄兴孵化园4栋

Building 4, Xiongxing Incubation Park, No.42 Xiangshan Avenue,  
Zengcheng Economic and Technological Development Zone, Guangzhou, China