



L019A-00

Date:20231109 **Ver1.0**



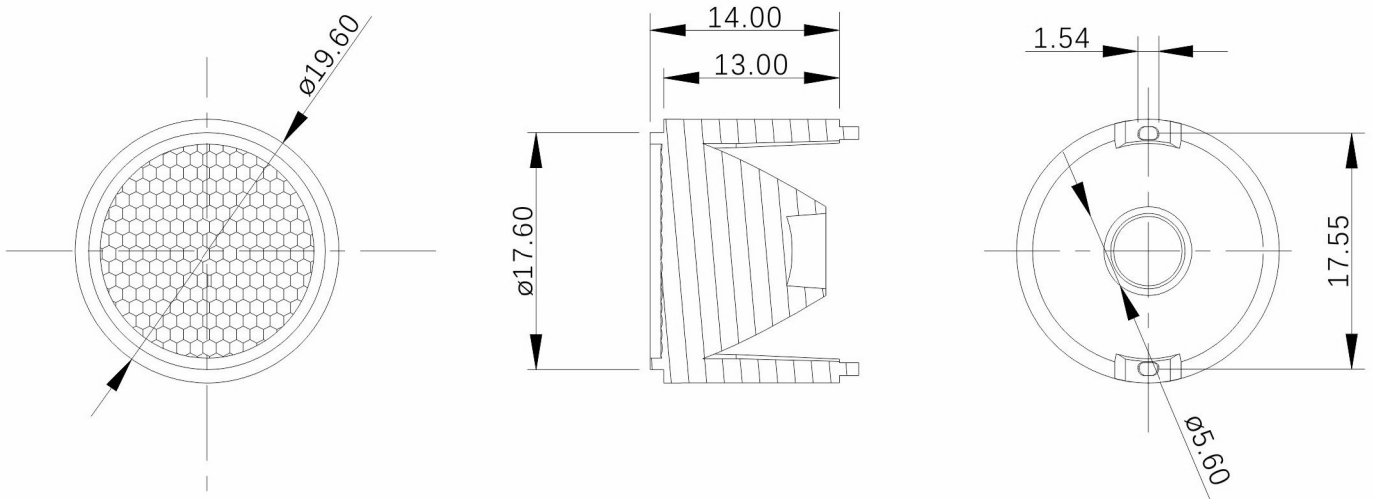
BASIC PARAMETERS

Basic parameters / Drawing	1~3P
Source	4P
Luminous intensity distribution curve	5P
Packing information	6P

BASIC PARAMETERS

Model	L019A-00
Beam angle	12° / 24° / 36°
Cover	No
Operating temperature	Tc ≤ 85°C
Plating / Color	Vacuum plating / Silver
RoHS	Yes
Material	PC
Lens	No
Efficiency	88%

DRAWING



XX ±	X.X ±	X.XX ±	X.X° ±
0.35	0.25	0.20	0.5°

Unit:mm

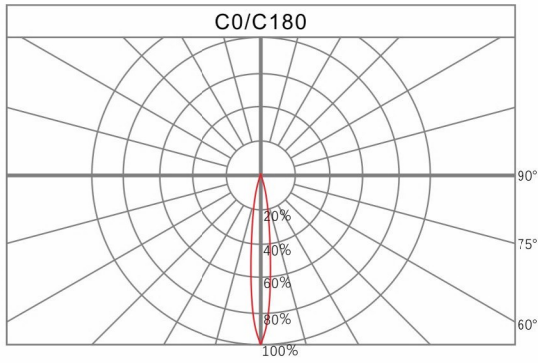
SOURCE

■ LES

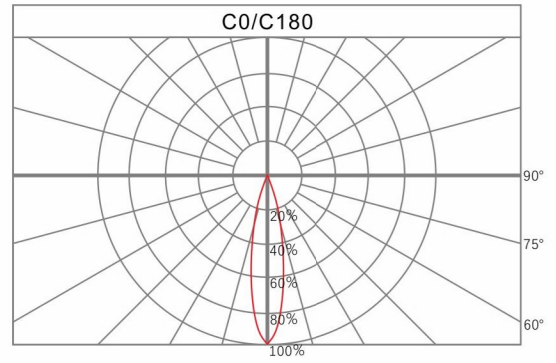
CREE	XP-G2 / XP-G3 / XP-E / XT-E / XP-E2 / XP-C / XP-L2 / XP-L HI / XP-P
Luminus	SST-20
Nichia	NVSW119F / NCSA119B / NVSA119B / NV4WB35AM
Samsung	LH351

LUMINOUS INTENSITY DISTRIBUTION CURVE

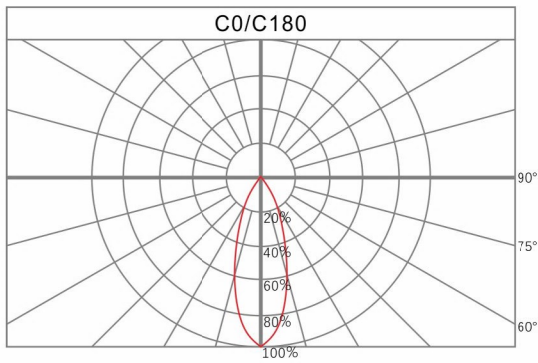
Relative intensity of BR05021-C1C



Relative intensity of BR05041-C1C



Relative intensity of BR05061-C1C



www.opto-source.com



+86 20 8266 0966



+86 18820021222



amyzou@hkoptosource.com



www.opto-source.com



广州市增城经济技术开发区香山大道42号雄兴孵化园4栋

Building 4, Xiongxing Incubation Park, No.42 Xiangshan Avenue,
Zengcheng Economic and Technological Development Zone, Guangzhou, China