



L050A-00

Date:20231109 **Ver1.0**

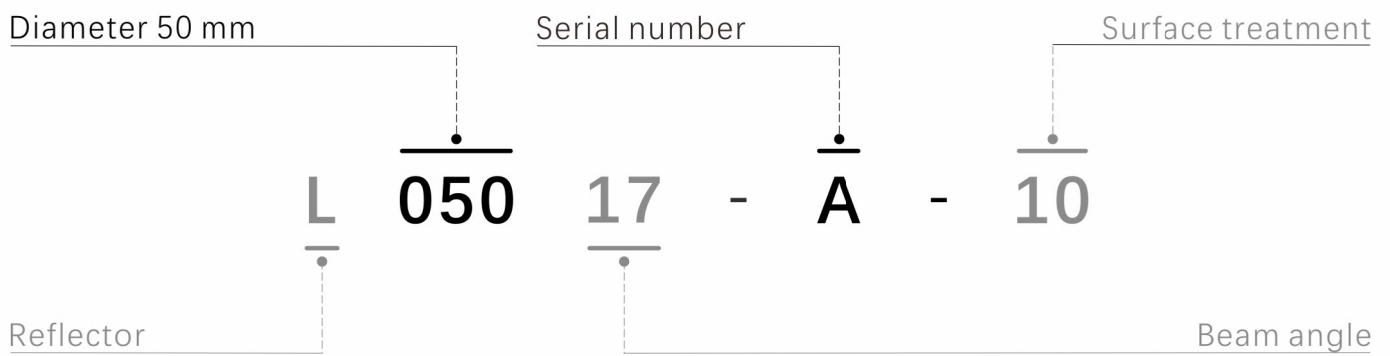


BASIC PARAMETERS

Basic parameters / Drawing ————— 1~3P

Source / Holders ————— 4P

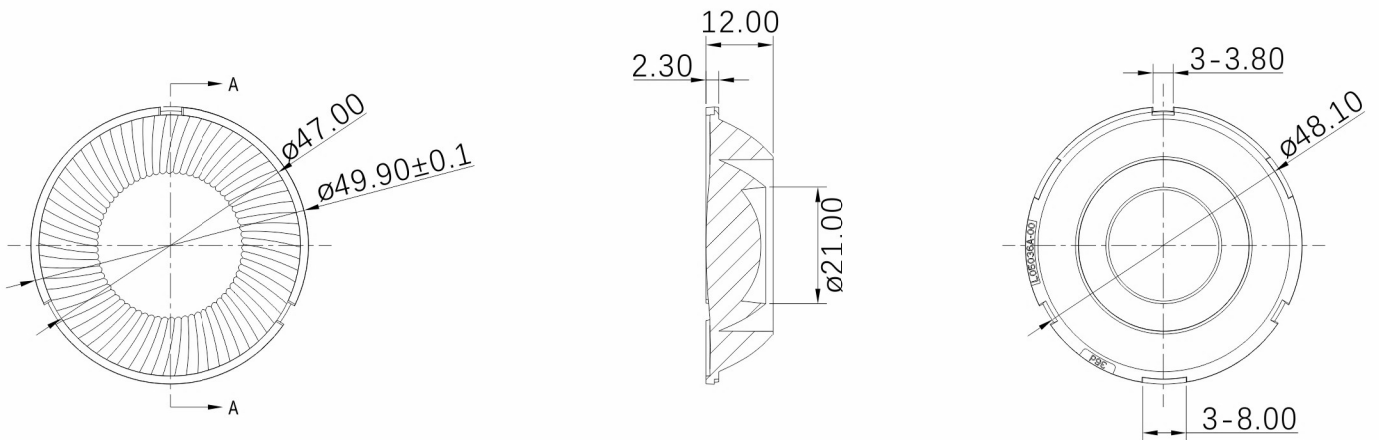
Luminous intensity distribution curve ————— 5P



BASIC PARAMETERS

Model	L050A-00
Beam angle	17° / 24° / 36° / 60°
Cover	No
Operating temperature	$T_c \leq 85^\circ\text{C}$
Plating / Color	Vacuum plating / Silver
RoHS	Yes
Material	PMMA
Lens	No
Efficiency	88%

DRAWING



$\times \times \pm$	$\times . \times \pm$	$\times . \times \times \pm$	$\times . \times ^\circ \pm$
0.35	0.25	0.20	0.5°

Unit:mm

SOURCE

■ LES 7~11mm

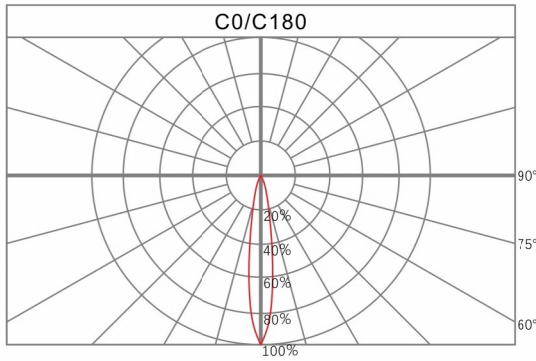
Bridgelux	V6 HD Gen7 gen8 / V10-gen7 gen8 gen9 / E10
Citizen	CLU028 / CLU02J / CLU02Q / CLU703 / CLU702 / CLU701
CREE	CHA0825 / CMT1407 / CMT1420 / CMU1003 / CMU1013
Lumens	1309H2 / 1318H2
Lumileds	L02x06 / L04x09
Luminus	CXM-6-AC30 gen3 / CXM-6 gen4 / CXM-6 gen6 / CHM-6-BH40 / CXM-6 LUX / CHM-9 gen3 CIM-9 gen4 / CIM-9 gen3 / CLM-9-AC30 gen3 / CLM-9-AC40 gen4 / CXM-9-AC40 gen4 CLM-9 gen6 / CXM-9-TC60 gen6 / CLM-9-TC50 Lux
Osram	S9
Samsung	LC010C / LC003D / LC006D / LC009D / LC013D
Seoul	SAWS0661A / SAWS1063A
Tridonic	SLE 06mm / SLE 09mm / SLE G7 09mm

HOLDERS

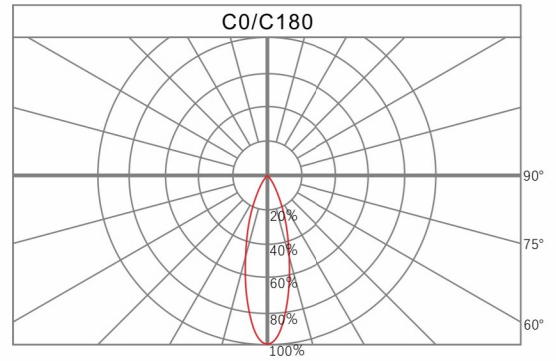
Type	COB size(mm)	COB LES(mm)	Size(mm)	Material	Screw size
TRH0023-P	31×31	20~27	ø46×3.5	PC	M3

LUMINOUS INTENSITY DISTRIBUTION CURVE

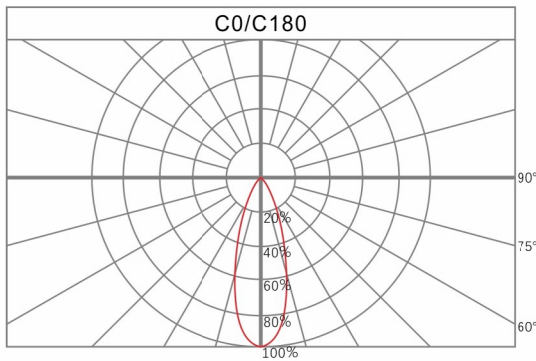
Relative intensity of L05017A-00



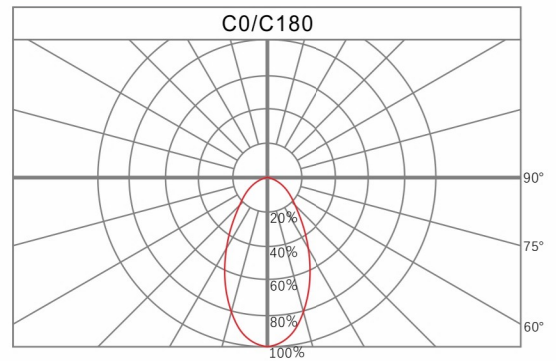
Relative intensity of L05024A-00



Relative intensity of L05036A-00



Relative intensity of L05060A-00



www.opto-source.com



+86 20 8266 0966



+86 18820021222



amyzou@hkoptosource.com



www.opto-source.com



广州市增城经济技术开发区香山大道42号雄兴孵化园4栋

Building 4, Xiongxing Incubation Park, No.42 Xiangshan Avenue,
Zengcheng Economic and Technological Development Zone, Guangzhou, China